

FEATURES AND SPECIFICATIONS

Features and Benefits

- Sizes 8 to 30 circuits
- For 0.30mm thick FFC/FPC
- Kinked outer solder tails for additional PCB retention

Reference Information

Packaging: Tray
Designed In: Millimeters

Electrical

Voltage: 50V
Current: 0.5A
Contact Resistance: 20mΩ max.
Dielectric Withstanding Voltage: 500V AC/1 min.
Insulation Resistance: 100 MΩ min.

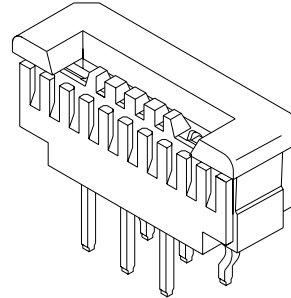
Physical

Housing: 6/6 nylon, UL 94V-0
Actuator: PBTP, UL 94V-0
Contact: Phosphor Bronze
Plating: Tin
Operating Temperature: -20 to +80°C

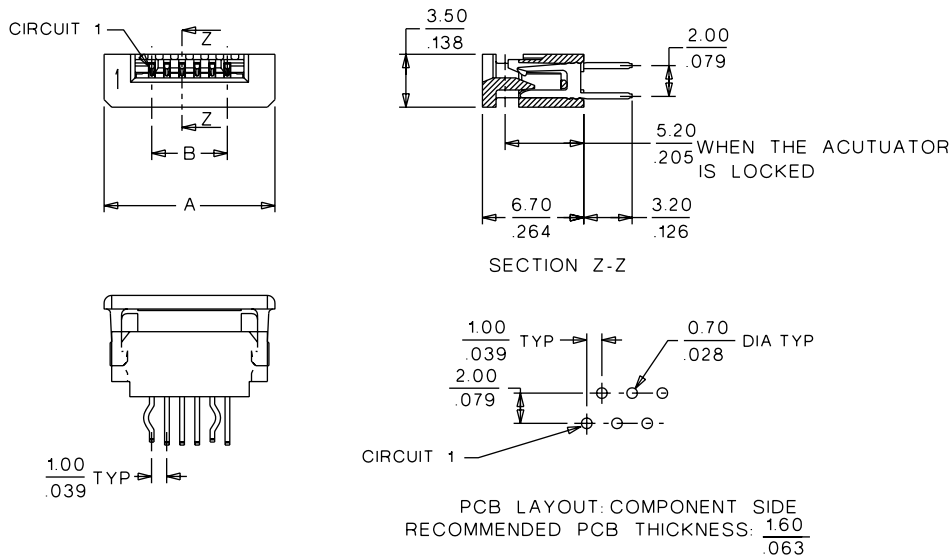
molex® 1.00mm (.039") Pitch
FFC/FPC Connector

52030

Vertical, ZIF



CATALOG DRAWING (FOR REFERENCE ONLY)



ORDERING INFORMATION AND DIMENSIONS

Circuits	Order No.	Dimension	
		A	B
8	52030-0810	13.30 (.524)	7.00 (.275)
10	52030-1010	15.30 (.602)	9.00 (.354)
12	52030-1210	17.30 (.681)	11.00 (.433)
14	52030-1410	19.30 (.760)	13.00 (.511)
16	52030-1610	21.30 (.839)	15.00 (.590)
18	52030-1810	23.30 (.917)	17.00 (.669)
20	52030-2010	25.30 (.996)	19.00 (.748)
22	52030-2210	27.30 (1.074)	21.00 (.826)
24	52030-2410	29.30 (1.154)	23.00 (.905)
26	52030-2610	31.30 (1.232)	25.00 (.984)
28	52030-2810	33.30 (1.311)	27.00 (1.062)
30	52030-3010	35.30 (1.390)	29.00 (1.141)

Note: For cable specification dimensions, see cable pages at end of section