

Gas Discharge Tube
Over-Voltage Protection Device

PRODUCT: GTCS35-401M-R05

DOCUMENT: SCD
 PCN:
 REV LETTER: 1
 REV DATE: May 3, 2007
 PAGE NO.: 1 OF 1

Specification Status: Draft

Marking:

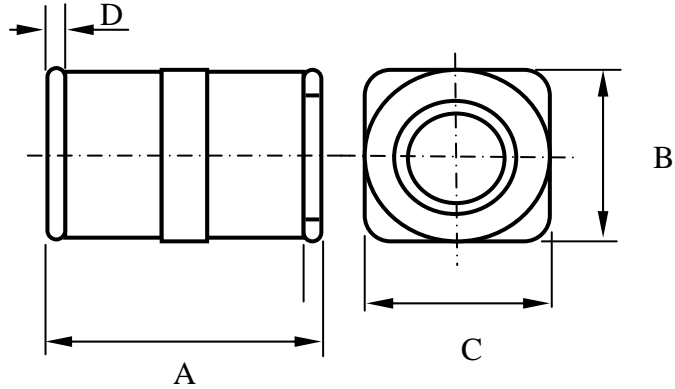
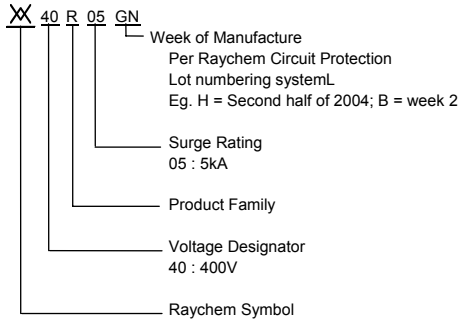


TABLE I. DIMENSIONS

	A		B		C		D
	Min	Max	Min	Max	Min	Max	Typ
mm:	7.4	7.8	4.9	5.1	4.9	5.1	0.4
in*:	0.29	0.31	0.19	0.20	0.19	0.20	0.02

*Rounded off approximation

TABLE II. ELECTRICAL CHARACTERISTICS

	DC Sparkover Voltage (A-E) (B-E)	Impulse Sparkover Voltage (A-E) (B-E)	Insulation Resistance	Capacitance	Impulse Discharge Current 8/20 μ s (A+B-E)	AC Discharge Current, 50 Hz (A+B-E)
Part Number	@ 100V/s	@1kV / μ s	@100 V _{DC}	@ 1MHz	Repeat 10 times (5 times, each polarity)	Repeat 10 times 1s
GTCS35-401M-R05	400 \pm 20%	<1000V	\geq 1,000M Ω	<1pF	5kA	5A

General Characteristics

No Radioactive Materials
 Storage temperature: -40°C ... +85°C
 Operating temperature: -40°C ... +85°C

Materials Information

RoHS Compliant

Directive 2002/95/EC
Compliant

ELV Compliant

Directive 2000/53/EC
Compliant

Precedence:
 Effectivity:
CAUTION:

This specification takes precedence over documents referenced herein.
 Reference documents shall be the issue in effect on the date of invitation for bid.
 Operation beyond the rated voltage or current may result in rupture, electrical arcing or fla