

Raychem Corporation

300 Constitution Drive
Menlo Park, CA 94025
800-227-4856
FAX 800-227-4866



PolySwitch® PTC Devices Resettable Fuse

PRODUCT: RGE500K

DOCUMENT: SCD 23828
PCN: 100027
REV LETTER: F
REV DATE: FEBRUARY 5, 2000
PAGE NO.: 1 OF 1

Specification Status: RELEASED

Electrical Rating

Voltage: 16V MAX
Current: 100A MAX

Insulating Material:

Cured, Flame Retarded Epoxy Polymer
meets UL94 V-0 Requirements

Lead Material:

20 AWG Tin/Lead Plated Copper
(0.81mm [0.032] nom. diameter)

Marking:

- Raychem Logo and Voltage
- Part Identification
- Lot Identification (can be on back)

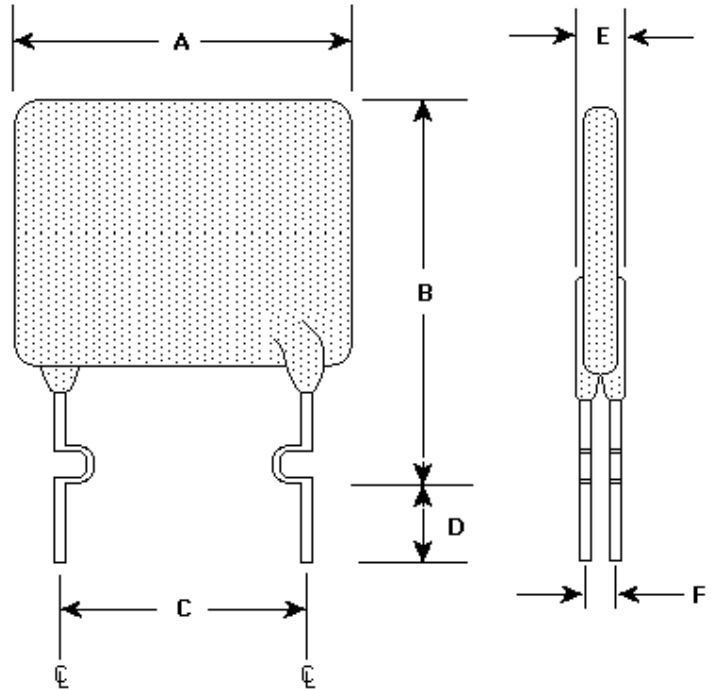


TABLE I. DIMENSIONS:

	A		B		C		D		E		F
	MIN	MAX	MIN	MAX	MIN	MAX	MIN	MAX	MIN	MAX	TYP
mm:	9.4	10.4	-	16.9	4.3	5.8	7.6	-	2.0	3.0	1.2
in*:	(0.37)	(0.41)	-	(0.67)	(0.17)	(0.23)	(0.30)	-	(0.08)	(0.12)	(0.05)

*Rounded off approximation

TABLE II. PERFORMANCE RATINGS:

I HOLD	CURRENT RATINGS		TIME TO TRIP	RESISTANCE		TRIPPED-STATE POWER DISSIPATION
	AMPS AT 25°C HOLD	AMPS AT 25°C TRIP		OHMS AT 25°C MIN	OHMS AT 25°C MAX	
5.00	5.00	8.50	SECONDS AT 25°C, 25 A MAX	0.015	0.034	WATTS AT 25°C, 16V TYP
			2.0			2.6

Recognition:

CSA/ TUV/ UL approved.

Reference Documents:

PS300

Precedence:

This specification takes precedence over documents referenced herein.

Effectivity:

Reference documents shall be the issue in effect on the date of invitation for bid.

CAUTION:

Operation beyond the rated voltage or current may result in rupture, electrical arcing or flame.