

Raychem Corporation

300 Constitution Drive
 Menlo Park, CA 94025
 800-227-4856
 FAX 800-227-4866

R
PolySwitch®
PTC Devices
 Resettable Fuse

PRODUCT: RGE300K

DOCUMENT: SCD 23827
 PCN: 447317
 REV LETTER: F
 REV DATE: JANUARY 24, 2000
 PAGE NO.: 1 OF 1

Specification Status: RELEASED

Electrical Rating

Voltage: 16V MAX
Current: 100A MAX

Insulating Material:

Cured, Flame Retarded Epoxy Polymer
 meets UL94 V-0 Requirements

Lead Material:

20 AWG Tin/Lead Plated Copper
 (1.0mm [0.040] nom. diameter)

Marking:

- Raychem Logo and Voltage
- XX 16 — Part Identification
- G 300 — Lot Identification (can be on back)
- — Lot Identification (can be on back)

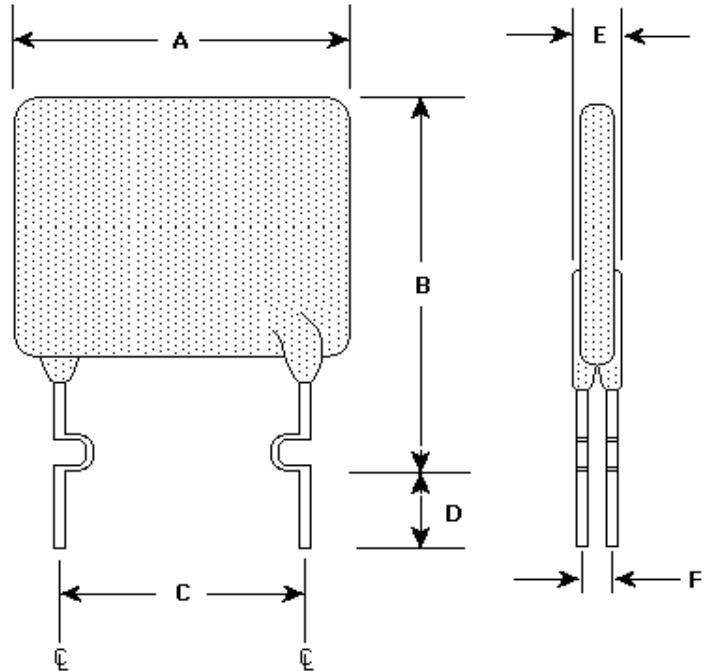


TABLE I. DIMENSIONS:

	A		B		C		D		E		F
	MIN	MAX	MIN	MAX	MIN	MAX	MIN	MAX	MIN	MAX	TYP
mm:	6.1	7.1	-	13.6	4.3	5.8	7.6	-	2.0	3.0	1.2
in*:	(0.24)	(0.28)	-	(0.54)	(0.17)	(0.23)	(0.30)	-	(0.08)	(0.12)	(0.05)

*Rounded off approximation

TABLE II. PERFORMANCE RATINGS:

I HOLD	CURRENT RATINGS		TIME TO TRIP	RESISTANCE		TRIPPED-STATE POWER DISSIPATION
	AMPS 25°C HOLD	AMPS AT 25°C TRIP	SECONDS AT 25°C, 15 A MAX	OHMS AT 25°C MIN	OHMS AT 25°C MAX	WATTS AT 25°C, 16V TYP
3.0	3.00	5.10	1.0	0.038	0.0975	2.3

Recognition: CSA/ TUV/ UL approved.
 Reference Documents: PS300
 Precedence: This specification takes precedence over documents referenced herein.
 Effectivity: Reference documents shall be the issue in effect on the date of invitation for bid.
 CAUTION: Operation beyond the rated voltage or current may result in rupture, electrical arcing or flame.