

Raychem Corporation

300 Constitution Drive
Menlo Park, CA 94025
800-227-4856
FAX 800-227-4866



PolySwitch®
PTC Devices
Resettable Fuse

PRODUCT: RGE1400

DOCUMENT: SCD 23556
PCN: 188547
REV LETTER: G
REV DATE: FEBRUARY 01, 2000
PAGE NO.: 1 OF 1

Specification Status: RELEASED

Electrical Rating

Voltage: 16V MAX
Current: 100A MAX

INSULATING MATERIAL:

Cured, Flame Retarded Epoxy Polymer
meets UL94 V-0 Requirements

LEAD MATERIAL:

18 AWG Tin/Lead Plated Copper
(1.0mm [0.040] nom. diameter)

PART MARKING:

- Raychem Logo and Voltage
- XX 16**
- G1400** Part Identification
- Lot Identification

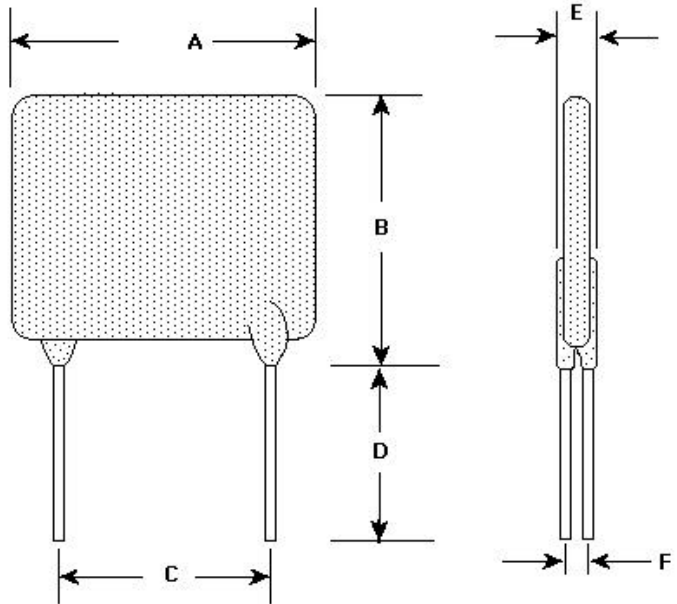


TABLE I. DIMENSIONS:

	A		B		C		D		E		F
	MIN	MAX	MIN	MAX	MIN	MAX	MIN	MAX	MIN	MAX	TYP
mm	22.4	23.5	22.6	27.9	9.4	10.9	7.6	--	2.3	3.5	1.4
in*:	(0.88)	(0.925)	(0.89)	(1.10)	(0.37)	(0.43)	(0.30)	--	(0.09)	(0.14)	(0.06)

*Rounded off approximation

TABLE II. PERFORMANCE RATINGS:

I HOLD	CURRENT RATINGS		TIME TO TRIP	RESISTANCE		TRIPPED-STATE POWER DISSIPATION
	AMPS 25°C HOLD	AMPS AT 25°C TRIP	SECONDS AT 25°C, 70 A MAX	OHMS AT 25°C MIN	OHMS AT 25°C MAX	WATTS AT 25°C, 16V TYP
14.0	14.0	23.8	9.0	0.0026	0.0064	4.6

Recognitions: UL, CSA, TUV approved.
Reference Documents: PS300
Precedence: This specification takes precedence over documents referenced herein.
Effectivity: Reference documents shall be the issue in effect on the date of invitation for bid.
CAUTION: Operation beyond the rated voltage or current may result in rupture, electrical arcing or flame.