

Specification Status: Released

Electrical Rating

Voltage: 24V MAX
Current: 100A MAX

Leads:

Nickel: 0.125 mm nom

Tape:

Polyester

Marking:

- Manufacturer's Mark
- XX L18 — Part Identification
- — Lot Identification

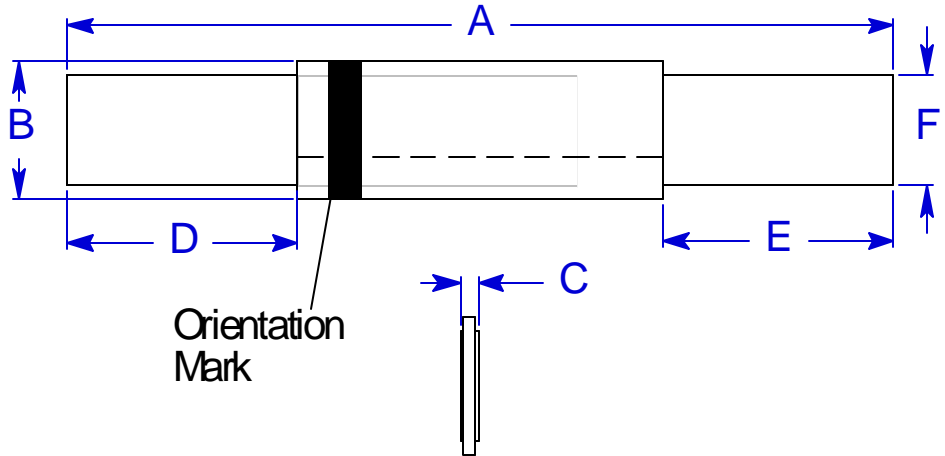


TABLE I. DIMENSIONS:

	A		B		C		D		E		F		G	
	MIN	MAX	MIN	MAX	MIN	MAX	MIN	MAX	MIN	MAX	MIN	MAX	MIN	MAX
mm:	35.5	37.5	4.9	5.2	0.6	1.0	9.7	11.0	9.7	11.0	3.9	4.1	--	--
in*:	(1.40)	(1.48)	(0.19)	(0.20)	(0.02)	(0.04)	(0.38)	(0.44)	(0.38)	(0.44)	(0.15)	(0.16)	--	--

*Rounded off approximation

TABLE II. PERFORMANCE RATINGS:

I HOLD	CURRENT TRIP LIMITS								TIME TO TRIP		REFERENCE RESISTANCE		ONE-HOUR POST-TRIP RESISTANCE		TRIPPED-STATE POWER DISSIPATION
	AMPS AT 20°C HOLD	AMPS AT 0°C HOLD	AMPS AT 20°C TRIP	AMPS AT 60°C HOLD	AMPS AT 60°C TRIP	AMPS AT 80°C HOLD	AMPS AT 80°C TRIP	SECONDS AT 20°C, 9 A TYP	SECONDS AT 20°C, 9 A MAX	OHMS AT 20°C MIN	OHMS AT 20°C MAX	OHMS AT 20°C TYP	OHMS AT 20°C MAX		
1.8	2.2	4.5	1.8	3.8	0.9	2.4	0.4	1.1	1.5	2.9	0.040	0.068	0.090	0.120	2.0

Reference Documents:

PS300

Precedence:

This specification takes precedence over documents referenced herein.

Effectivity:

Reference documents shall be the issue in effect on the date of invitation for bid.

CAUTION:

Operation beyond the rated voltage or current may result in rupture, electrical arcing or flame.