

**Specification Status: RELEASED**

**Electrical Rating**

**Voltage: 16V<sub>DC</sub> MAX**

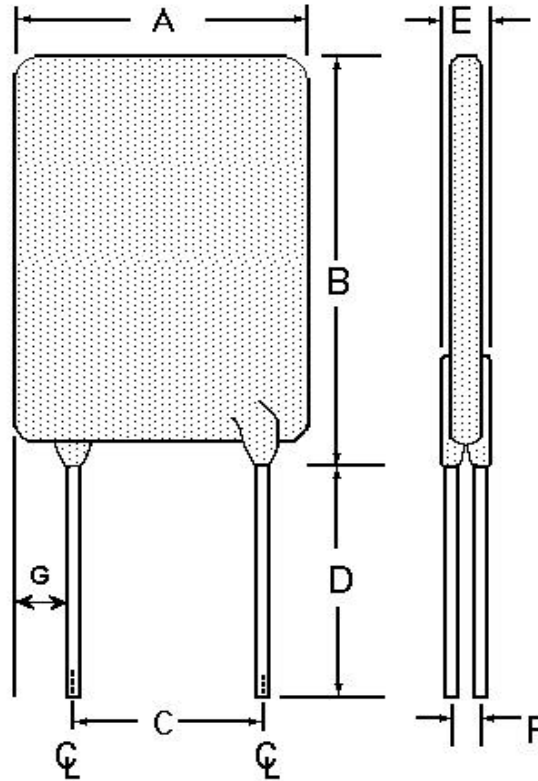
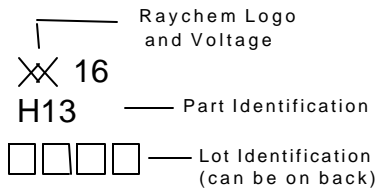
**INSULATING MATERIAL:**

Cured, Flame Retarded Epoxy Polymer

**LEAD MATERIAL:**

18 AWG Tin/Lead Plated Copper  
(1.0 mm [0.040] nom. diameter)

**PART MARKING:**



**TABLE I. INSTALLATION ENVELOPE DIMENSIONS:**

	A		B		C		D		E		F TYP	G	
	MIN	MAX	MIN	MAX	MIN	MAX	MIN	MAX	MIN	MAX		MIN	MAX
mm:	--	23.5	--	28.7	9.4	10.9	7.6	--	--	3.5	1.4	--	4.19
in*:	--	(0.925)	--	(1.13)	(0.37)	(0.43)	(0.30)	--	--	(0.14)	(0.06)	--	(0.165)

\*Rounded off approximation

**TABLE II. PERFORMANCE RATINGS:**

CURRENT RATINGS		TIME TO TRIP	RESISTANCE		R <sub>a</sub> MAX	TRIPPED-STATE POWER DISSIPATION
AMPS AT 25°C HOLD	AMPS AT 25°C TRIP	SECONDS AT 25°C, 65 A MAX	OHMS AT 25°C		OHMS AT 25°C	WATTS AT 25°C TYP
			MIN	MAX		
13.0	27.0	15.0	.0034	.0069	0.010	6.9

Reference Documents:

PS400, PS300 (reference for R<sub>1</sub> MAX)

Precedence:

This specification takes precedence over documents referenced herein.

Effectivity:

Reference documents shall be the issue in effect on the date of invitation for bid.

CAUTION:

Operation beyond the rated voltage or current may result in rupture, electrical arcing or flame.

## Raychem Circuit Protection

308 Constitution Drive  
Menlo Park, CA 94025  
800-227-4856  
FAX 800-227-4866

# Raychem

## Circuit Protection®

### PTC Devices

Resettable Fuse

PRODUCT: **AHR1300S**

DOCUMENT: SCD 24610  
PCN: 726954  
REV LETTER: A  
REV DATE: JULY 24, 2000  
PAGE NO.: 2 OF 2

**TABLE III. AUTOMOTIVE SPECIFIC STRESS TESTS AND TEST CONDITIONS:**

ELECTRICAL STRESS TESTS	TEST CONDITIONS (see note 2)
ESD Voltage Withstand (see note 1)	25kV
Short Circuit Fault Current Durability	25 cycles, 16V, 200A
Fault Current Durability	350 cycles, 16V/100A
End-of-life Mode Verification	1750 cycles, 16V/100A
Jump Start Endurance (see note 1)	3 cycles, 26V, 1 minute duration
Load Dump Endurance (see note 1)	10 cycles, 86.5V

Note 1: The PolySwitch devices are tested in series with a load resistance and the voltages specified in the test conditions are shared between the PolySwitch device and the load resistance as specified in PS400.

Note 2: Please refer to Appendix A of PS400 for the detailed test procedures