

Tyco / Electronics
Raychem Circuit Protection
 308 Constitution Drive
 Menlo Park, CA 94025-1164
 Phone: 800-227-4856
 Fax: 800-227-4866

PolySwitch®
PTC Devices
 Overcurrent Protection Device

PRODUCT: VLR170U

DOCUMENT: SCD 24827
 PCN: 876958
 REV LETTER: A
 REV DATE: JULY 18, 2001
 PAGE NO.: 1 OF 1

Specification Status: Preliminary

Electrical Rating
Voltage: 12V MAX
Current: 100A MAX

Leads:
 Nickel: 0.125 mm nom.

Tape:
 Polyester

Marking:

□□□□ — Lot Identification

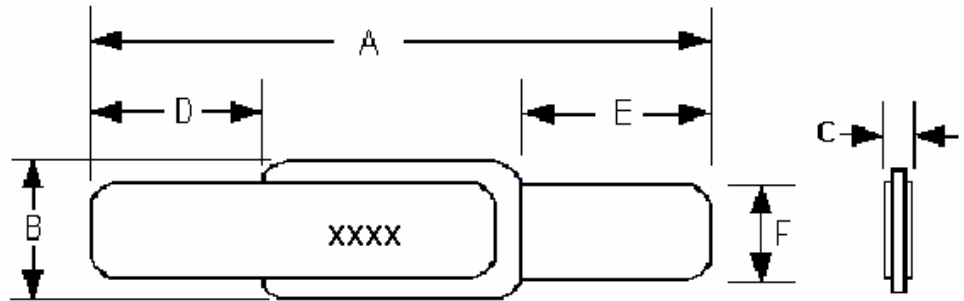


TABLE I. DIMENSIONS:

	A		B		C		D		E		F	
	MIN	MAX	MIN	MAX	MIN	MAX	MIN	MAX	MIN	MAX	MIN	MAX
mm:	20.8	23.2	3.5	3.7	--	0.7	5.3	6.7	5.3	6.7	2.4	2.6
in*:	(0.82)	(0.91)	(0.14)	(0.15)	--	(0.03)	(0.21)	(0.26)	(0.21)	(0.26)	(0.09)	(0.10)

*Rounded off approximation

TABLE II. PERFORMANCE RATINGS:

I HOLD	CURRENT TRIP LIMITS						TIME TO TRIP	REFERENCE RESISTANCE		ONE-HOUR POST-TRIP RESISTANCE		TRIPPED-STATE POWER DISSIPATION
	AMPS AT 0°C		AMPS AT 25°C		AMPS AT 60°C			OHMS AT 25°C		OHMS AT 25°C		
AMPS HOLD	AMPS HOLD	AMPS TRIP	AMPS HOLD	AMPS TRIP	AMPS HOLD	AMPS TRIP	SECONDS AT 25°C, 8.5 A MAX	OHMS MIN	OHMS MAX	OHMS MIN	OHMS MAX	
1.7	2.4	5.6	1.7	4.1	0.7	1.9	5.0	0.018	0.032	0.018	0.064	1.4

Reference Documents:
 Precedence:
 Effectivity:
 CAUTION:

PS300
 This specification takes precedence over documents referenced herein.
 Reference documents shall be the issue in effect on the date of invitation for bid.
 Operation beyond the rated voltage or current may result in rupture, electrical arcing or flame.