

Specification Status: Released

Max Electrical Rating at 20°C

Operating Voltage: 100V_{DC}

Interrupt Current: 10A_{RMS}

Fault Voltage: 250V_{RMS}

Lead Material: 22 AWG 100% Tin plated copper

Marking: None

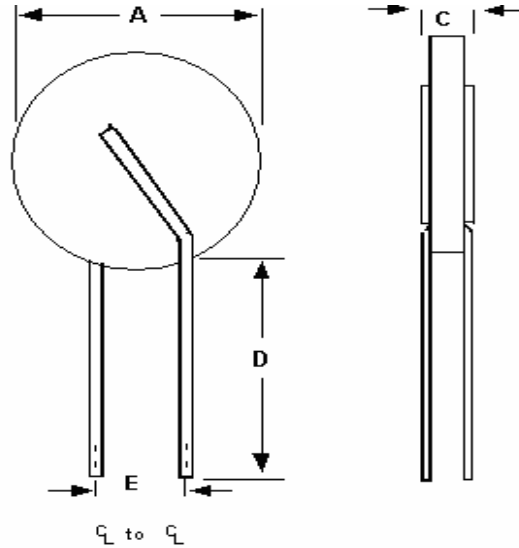


TABLE I. DIMENSIONS:

	A		C		D		E
	Min	Max	Min	Max	Min	Max	Nom
mm:	--	8.1	--	3.0	4.7	-	5.0
in:	--	(0.319)	--	(0.118)	(0.185)	-	(0.197)

TABLE II. PERFORMANCE RATINGS @ 20°C (unless otherwise noted):

I HOLD (A)	RESISTANCE (Ω) @ 20°C			TIME TO TRIP (s) @3A		OPERATING TEMPERATURE (°C)	
	R MIN	R MAX	R _{1 MAX} *	TYP	MAX	MIN	MAX
20°C 0.180	0.8	2.2	4.0	0.5	2.0	-40	85

*Maximum device resistance at 20°C measured 1 hour post trip.

Additional Ratings @ 20° C

Lightning Withstand: ITU at 1.5kV

Agency Recognition: UL, CSA, TUV

Reference Documents: PS300

Precedence: This specification takes precedence over documents referenced herein.

Effectivity: Reference documents shall be the issue in effect on the date of invitation for bid.

CAUTION: Operation beyond the rated voltage or current may result in rupture, electrical arcing or flame.

Materials Information

ROHS Compliant



ELV Compliant



Pb-Free

