

**Specification Status: Released**

**Electrical Rating**

**Voltage: 15V MAX**  
**Current: 100A MAX**

Chip Size: 5 X 12mm

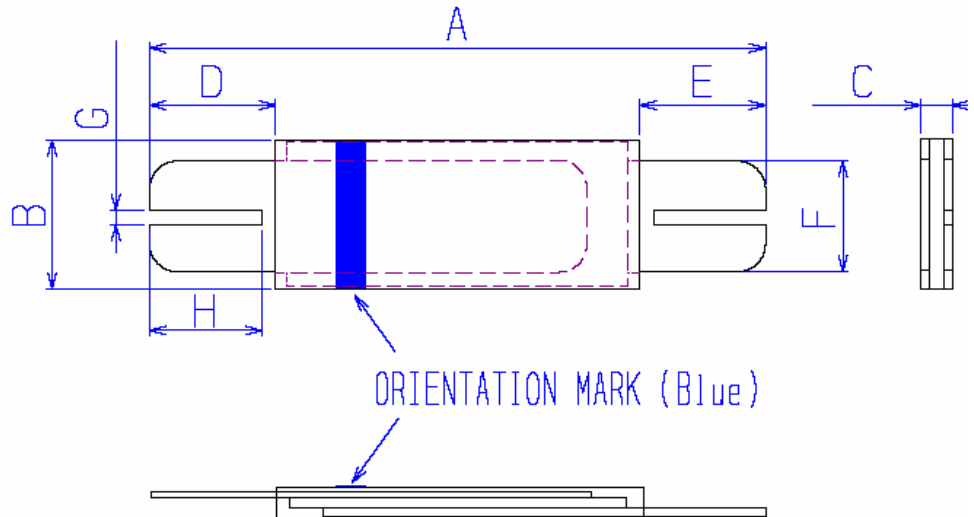
Leads: Nickel 1/4H  
 0.125mm nominal thickness

Tape: Polyester (White)  
 13mm Width

Solder: Lead-free

Marking: (Color: Green)

- Manufacturer's Mark
- XX 175 — Part Identification
- — Lot Identification



**TABLE I. DIMENSIONS:**

	A		B		C		D		E		F		G	
	MIN	MAX	MIN	MAX	MIN	MAX	MIN	MAX	MIN	MAX	MIN	MAX	MIN	MAX
mm:	20.9	23.1	4.9	5.2	0.6	1.0	4.1	5.5	4.1	5.5	3.9	4.1	0.3	0.7
in*:	(0.82)	(0.91)	(0.19)	(0.21)	(0.02)	(0.04)	(0.16)	(0.22)	(0.16)	(0.22)	(0.15)	(0.16)	(0.01)	(0.03)

	H	
	MIN	MAX
mm:	3.8	4.2
in*:	(0.15)	(0.17)

\*Rounded off approximation

**TABLE II. PERFORMANCE RATINGS: As measured in Mueller Kelvin Clips model BU-75K.**

I HOLD	CURRENT TRIP LIMITS								TIME TO TRIP		REFERENCE RESISTANCE		ONE-HOUR POST-TRIP RESISTANCE		TRIPPED-STATE POWER DISSIPATION	
	AMPS AT 0°C		AMPS AT 20°C		AMPS AT 60°C		AMPS AT --°C		SECONDS AT 20°C, 8.75A		OHMS AT 20°C		OHMS AT 20°C		WATTS AT 20°C, 15V	
HOLD	HOLD	TRIP	HOLD	TRIP	HOLD	TRIP	HOLD	TRIP	TYP	MAX	MIN	MAX	MIN	MAX	TYP	MAX
1.75	2.0	4.4	1.75	3.8	1.2	2.7	--	--	--	5	0.050	0.090	0.050	0.120	--	1.5

Agency Recognitions:  
 Reference Documents:  
 Precedence:  
 Effectivity:  
 CAUTION:  
 Materials Information:

UL, TUV, CSA  
 PS300  
 This specification takes precedence over documents referenced herein.  
 Reference documents shall be the issue in effect on the date of invitation for bid.  
 Operation beyond the rated voltage or current may result in rupture, electrical arcing or flame

**ROHS Compliant**

Directive 2002/95/EC  
 Compliant

**ELV Compliant**

Directive 2000/53/EC  
 Compliant

**Pb-Free**

