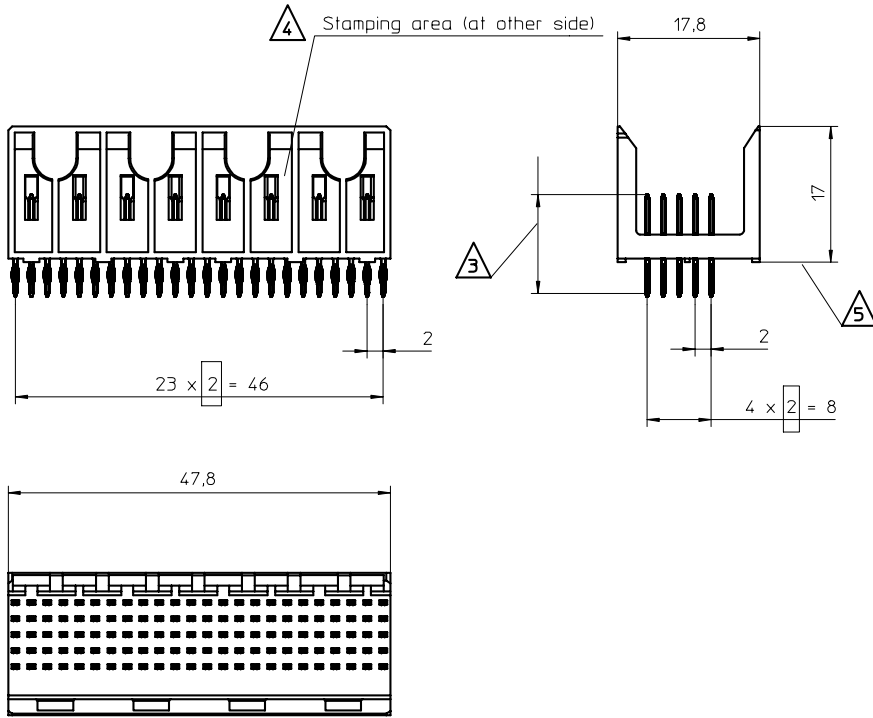
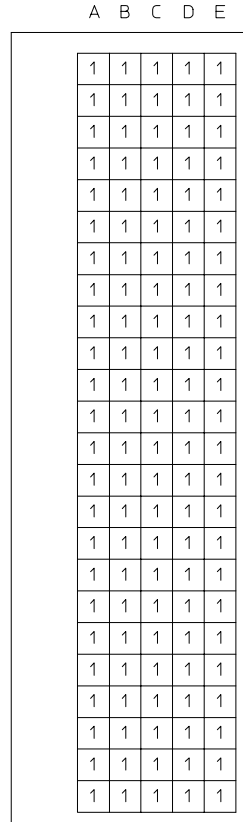


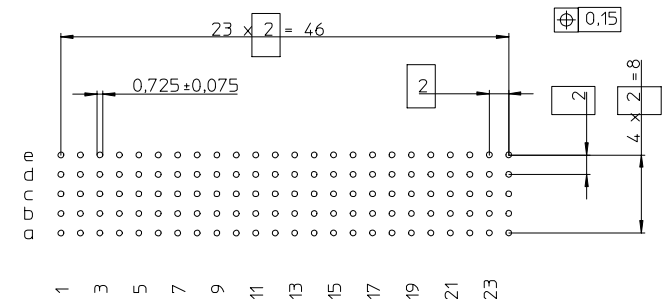
MECHANICAL DIMENSIONS WITH EXEMPLARY LOADING



CONTACT LAYOUT



RECOMMEND PCB-HOLE LAYOUT (COMPONENT SIDE)



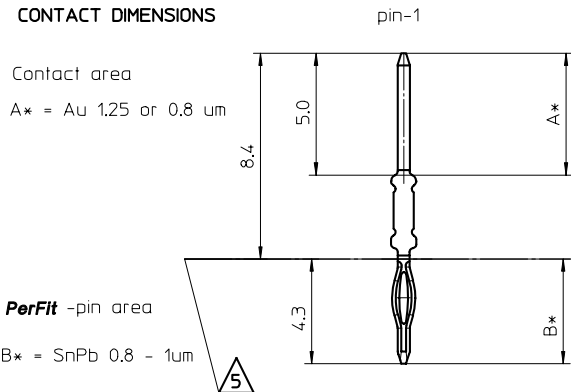
PCB-HOLE DIMENSIONS FOR **Perfit** -PIN

- DRILLED HOLE : 0.78-0.83mm
- FINISHED HOLE : 0.65 TO 0.77mm
- Cu-thickness : >0.025mm
- SnPb-thickness : < 0.015mm

NOTES

- 1 TO DEFINE EXACT PART NUMBER SEE PLATING TABLE UNDERNEATH
- 2 MATERIAL OF CONTACT : PHOSPHORBRONZE
MATERIAL OF HOUSING : LCP ZENITE 6130
NATURAL WHITE
- 3 FOR ACTUAL PIN LOADING SEE "CONTACT LAYOUT" AND "CONTACT DIMENSIONS"
- 4 CONNECTOR MARKED WITH PART NUMBER AND DATE CODE
- 5 REFERENCE LINE = SEATING PLANE OF CONNECTOR

CONTACT DIMENSIONS



PLATING TABLE

	um Au	um Au	um SnPb	um Ni
HM1-S120-MS5-P1*572	1,25		0,8	1,3
HM1-S120-MS5-P2*572		0,8	0,8	1,3
Performance				
	Level 1	Level 2	Perfit -pin	Under coating
Part number	Contact area A*		area B*	
No.	Name of part or name of assembly drawing	Drawing and part number	Standard	Format, dimensions, type
			Material	
	Symbol of part			
Product/Draw.no.	Interface/Draw.no.	Mass kg	General tolerance	Scale
		Calcul.		Desig.
		Weigh		TP
				29.05.01
				Check.
				Appd.

PERLOS

STANDARD

PerMet 2.0

Replaces Replaced