

FUJITSU Component Wireless Modules

Bluetooth® Smart Sensor Beacon

FWM8BLZ02A-109047

Overview

A Bluetooth Smart sensor beacon with accelerometer and temperature sensors



RoHS compliant

Features

- **Selection of 3 types of sensor data reporting**
 - Via Fujitsu Components Data Communication (FDC)*
Beacon outputs sensor data in preset intervals
 - Using Sensor Value Characteristic**
Data is stored in sensor module and central equipment accesses the module to read data
- **OTA configuration mode**
In *Over-The-Air* (OTA) config mode the beacon unit settings and data can be re-configured by connecting to the central device wirelessly
- **LED status**
The Beacon status can be checked by the LED indicator
- **Long operation life with coin cell battery**
The Beacon is able to operate for more than 2 years with a CR2450 coin cell battery at 1 second advertise interval



FWM8BLZ02A-109047

Applications

- State monitors (logistics, nursing services, etc.)
- Front-end device of IoT platforms

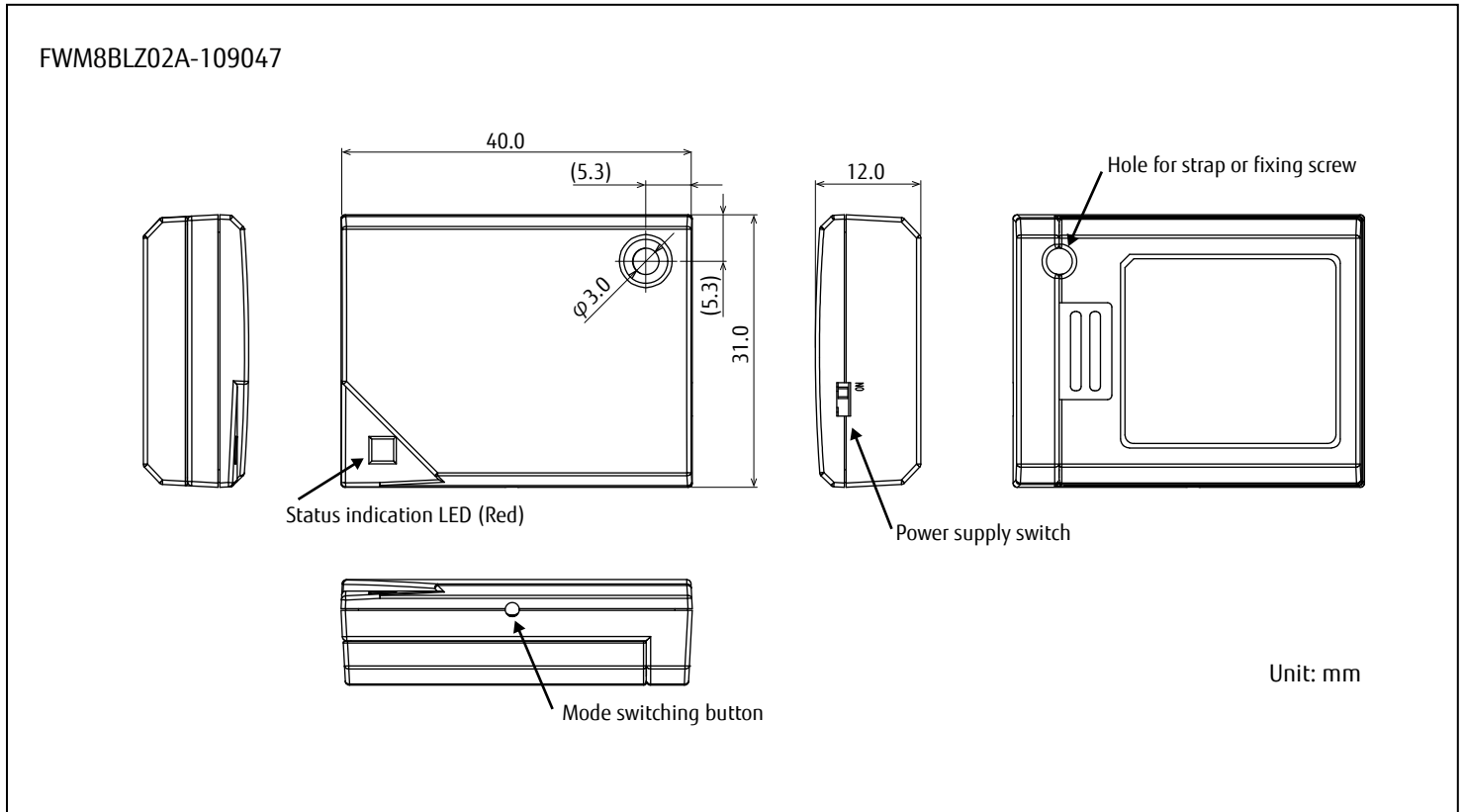
Notes: *: Fujitsu Component unique data transmission profile, equipped in the beacon as standard

** : Sensor Value Characteristic is a function set in 'Characteristic', GATT specification of Bluetooth Smart, to have central equipment read.

Sensor Value Characteristic is Fujitsu Component unique name

Item	Specifications	
Part number	FWM8BLZ02A-109047	
Antenna	Pattern antenna	
Bluetooth technology	Conforms to Bluetooth Smart technology	
Transmit power	-16, -12, -8, -4, 0, +4 dBm (changeable by command)	
Power supply	CR family coin type lithium battery CR2450 (not included)	
Operating temperature / humidity	-30°C to +60°C, 20 to 80% RH	
Sensor	Sense interval	Typical 990ms (range 90 to 6000ms)
	Acceleration sensor	Range of detection: ±16G, accuracy: ±3%
	Temperature sensor	Range of detection: -30°C to +60°C, accuracy : ±0.3°C
Dimensions / Weight	40 x 31 x 12mm / Approx. 10g (without battery)	
Certifications	Bluetooth qualification (QDID), Radio Act (Japan), FCC, IC, CE	

■ Dimensions



Note: The *Bluetooth*® word mark and logos are registered trademarks owned by Bluetooth SIG, Inc. and any use of such marks by Fujitsu Component is under license. Other trademarks and trade names are those of their respective owners.

Contact

Japan
 FUJITSU COMPONENT LIMITED
 Shinagawa Seaside Park Tower
 12-4, Higashi-shinagawa 4-chome,
 Tokyo 140 0002, Japan
 Tel: (81-3) 3450-1682
 Fax: (81-3) 3474-2385
 Email: fcl-contact@cs.jp.fujitsu.com
 Web: www.fujitsu.com/jp/fcl/

Europe
 FUJITSU COMPONENTS EUROPE B.V.
 Diamantlaan 25
 2132 WV Hoofddorp
 Netherlands
 Tel: (31-23) 5560910
 Fax: (31-23) 5560950
 Email: info@fceu.fujitsu.com
 Web: www.fujitsu.com/uk/components/

China
 FUJITSU ELECTRONIC COMPONENTS
 (SHANGHAI) CO., LTD.
 Unit 4306, InterContinental Center
 100 Yu Tong Road, Shanghai 200070, China
 Tel: (86 21) 3253 0998
 Fax: (86 21) 3253 0997
 Email: fcal@sgfujitsu.com
 www.fujitsu.com/sg/products/devices/components/

Copyright

All trademarks or registered trademarks are the property of their respective owners. Fujitsu Components America or its affiliates do not warrant that the content of datasheet is error free. In a continuing effort to improve our products Fujitsu Components America, Inc. or its affiliates reserve the right to change specifications/ datasheets without prior notice. Copyright ©2016 Fujitsu Components America, Inc. All rights reserved. Revised May 20, 2016.

North and South America
 FUJITSU COMPONENTS AMERICA, INC.
 2290 North First Street, Suite 212
 San Jose, CA 95131 U.S.A.
 Tel: (1-408) 745-4900
 Fax: (1-408) 745-4970
 Email: components@us.fujitsu.com
 Web: http://us.fujitsu.com/components/

Asia Pacific
 FUJITSU COMPONENTS ASIA, Ltd.
 102E Pasir Panjang Road
 #01-01 Citilink Warehouse Complex,
 Singapore 118529
 Tel: (65) 6375-8560 / Fax: (65) 6273-3021
 Email: fcal@sg.fujitsu.com
 www.fujitsu.com/sg/products/devices/components/

Hong Kong
 FUJITSU COMPONENTS HONG KONG Co., Ltd.
 Room 06, 28/F, Greenfield Tower, Concordia Plaza,
 No.1 Science Museum Road,
 Tsim Sha Tsui East, Kowloon, Hong Kong
 Tel: (852) 2881 8495 Fax: (852) 2894 9512
 Email: fcal@sg.fujitsu.com
 www.fujitsu.com/sg/products/devices/components/