

# 24V DRIVE, FTP-609 SERIES ULTRA HIGH SPEED (200mm/s) 2" TYPE MECHANISM (Cutter option) FTP-629MCL054/354

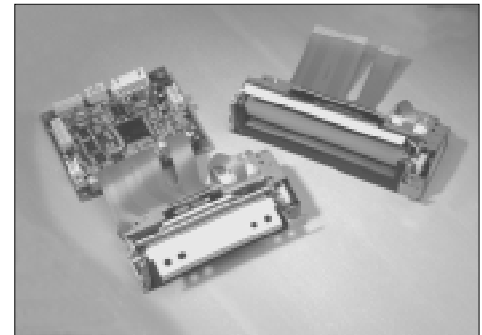
## ■ OVERVIEW

The FTP-609MCL Series thermal printer (driven by 24VDC) provides ultra-high speed printing (200mm/s) for 2-inch and 3-inch wide paper.

This series is suitable for a variety of applications, such as POS/ECR, kiosk terminals, ticket machines, label printers, banking machines, measuring devices, medical equipment, etc.

## ■ HIGHLIGHTS

- **Ultra high speed printing**  
It can print at 200 mm/s (1600 dotlines/s) maximum by using Fujitsu Components' unique head drive control.
- **Rear paper insertion mechanism with lock type**  
Fujitsu Components' unique platen release mechanism allows straight paper path and easy head maintenance.
- **Auto Cutter**  
Printer with auto cutter (full cut/ partial cut) is available. It can be mounted on top of the mechanism.
- **Multi-featuring diecast frame**  
By application of multi-featuring diecast frame, continuous print by function of heat-sink, high ESD with stand by function of earth frame and shock/vibration resistance by function of solid frame are valid.
- **Compact size**  
Depth: 40.5mm, width: 82.2mm, height: 20.5mm for the 2-inch model. The 3-inch model has a width of 104.2mm
- **High resolution**  
8 dots/mm head provides clear print out.
- **2 Color printing**  
It can print 2 colors: blue/ black or red/black



FTP-6x9MCL054 with FTP-629DCL014

## ■ PART NUMBERS

| Name                  |                  | Part Number                            |                           |
|-----------------------|------------------|--|---------------------------|
| Printer Mechanism     | 2 inch           | FTP-629MCL054 (bottom paper insertion) |                           |
| Mechanism with Cutter | 2 inch           | FTP-629MCL354 (bottom paper insertion) |                           |
| LSI                   |                  | FTP-629CU101 or 629CU151               | FTP-629SR201              |
| Interface Board       | Parallel         | FTP-629DCL014                          | FTP-629DSL181*            |
|                       | Serial (RS-232C) | FTP-629DSL034 (19.2k bps)              | FTP-629DSL181* (115k bps) |
|                       | USB              | ---                                    | FTP-629DSL112             |
| Thermal Head Cable    | Extension        | ---                                    | FTP-629Y001               |
| Interface Cable       | Parallel         | FTP-628Y202                            |                           |
|                       | Serial           | FTP-628Y302                            | FTP-629Y302               |
|                       | USB              | ---                                    | FTP-629Y301               |
| Power supply cable    | Logic            | FTP-629Y401                            | ---                       |
|                       | Head, motor      | FTP-629Y601                            |                           |

\*: Interface is selectable by DIP switch

## ■ GENERAL SPECIFICATIONS

| Item   |                        | Specifications  |                                     |
|--|------------------------|---|-------------------------------------|
| Part number                                      |                        | FTP-629MCL054   | FTP-629MCL354                       |
| Printing method                                  |                        | Thermal-sensitive line dot method                                       |                                     |
| Dot structure                                    |                        | 432 dots/line   |                                     |
| Dot pitch (Horizontal)                           |                        | 0.125 mm (8 dots/mm)—Dot density  |                                     |
| Dot pitch (Vertical)                             |                        | 0.125 mm (8 dots/mm)—Line feed pitch                                    |                                     |
| Effective printing area                          |                        | 54 mm   |                                     |
| Number of columns                                |                        | ANK 36 columns (12X24 dot font max.)                                    |                                     |
| Paper width                                      |                        | 60mm $\pm$ <sub>1</sub> <sup>0</sup>                                    |                                     |
| Paper thickness                                  |                        | 60 to 150 $\mu$ m   | 60 to 100 $\mu$ m                   |
| Cutting type                                     |                        | ---   | full or partial                     |
| Printing speed                                   |                        | FTP-629DCL/DSL series   | FTP-629DCL/DSL100 series            |
|  | Text                   | 80mm/s (640 dotlines/s) line mode                                       | 125mm/s (1000 dotlines/s) line mode |
|  | Bitmap Images          | 200mm/s (1600 dotlines/s) image mode                                    | 200mm/s (1600 dotlines/s) page mode |
| Character types                                  |                        | Alphanumeric KANA<br>International<br>JIS Kanji (Kanji CG loaded board) | :159<br>:195<br>:approx. 6800       |
| Character, dimensions(H×W), number of characters | 24×12 dots,(3.0×1.5mm) | 36 columns  |                                     |
|  | 24×24 dots,(3.0×3.0mm) | 18 columns  |                                     |
|  | 16×8 dots,(2.0×1.0mm)  | 54 columns  |                                     |
|  | 16×16 dots,(2.0×2.0mm) | 27 columns  |                                     |

(Continued)

# FTP-629MCL054/354

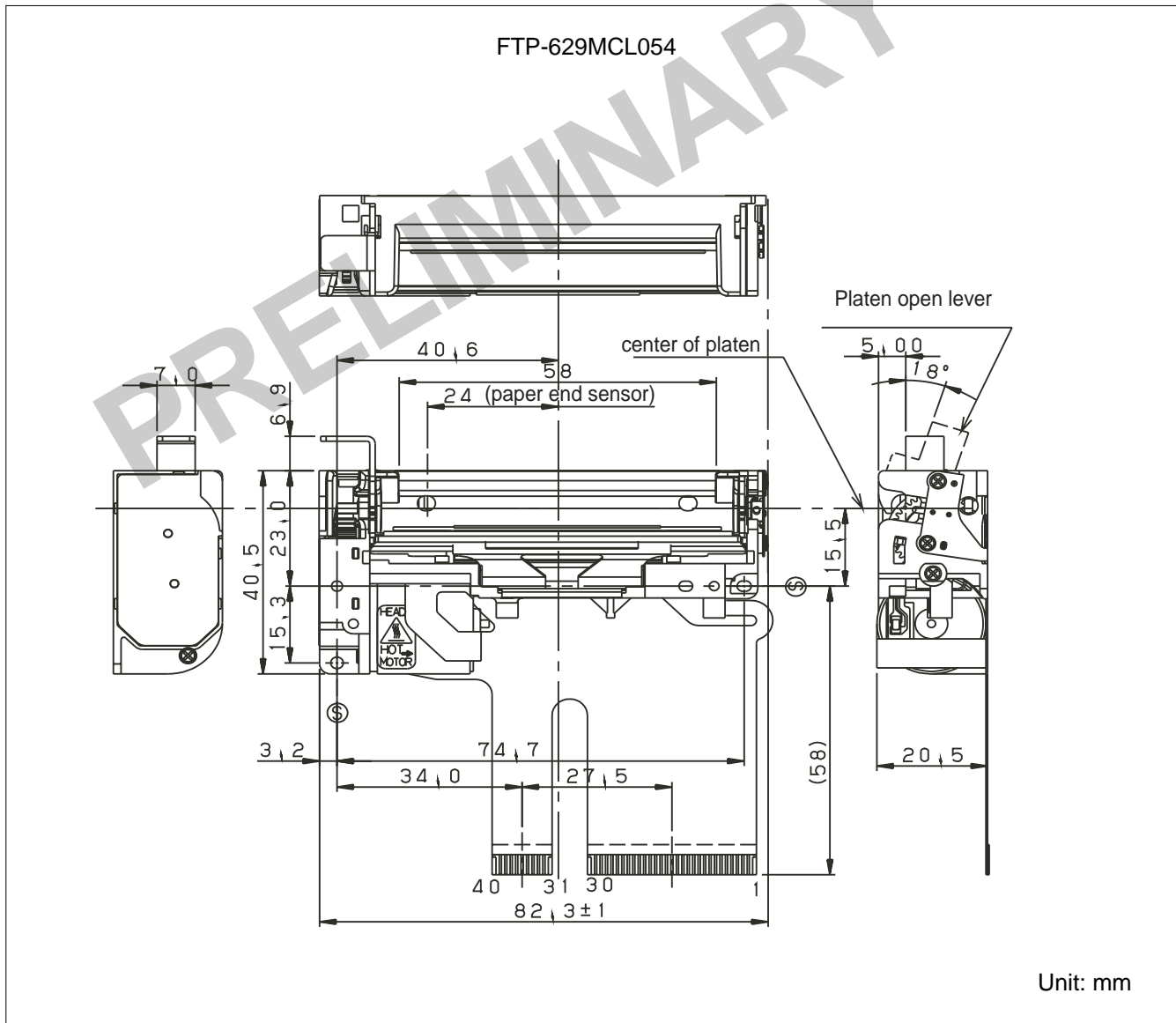
| Item                                |                               | Specifications  |                              |
|-------------------------------------|-------------------------------|---|------------------------------|
| Part number                         |                               | FTP-629MCL054   | FTP-629MCL354                |
| Interface                           |                               | Centronics / RS-232C standard / USB   |                              |
| Power supply                        | For head                      | 24 VDC $\pm$ 5% 1.4A (3A)<br>(24V , 25% printing ratio)   |                              |
|                                     | For printer motor             | 24VDC $\pm$ 5% 1A maximum   |                              |
|                                     | For cutter motor              | ---   | 24VDC $\pm$ 5% 1.2 A maximum |
|                                     | For logic                     | 5VDC $\pm$ 5% 0.2 A maximum   |                              |
| Dimensions<br>W x D x H             | Printer Mechanism             | 82.2 x 40.5 x 20.5 mm   | ---                          |
|                                     | Printer Mechanism with cutter | ---   | 90.6 x 62.5 x 37.7mm         |
|                                     | Interface board (standard)    | 70 x 60 x 24mm  |                              |
|                                     | Interface board (hi speed)    | 95.1 x 73.6 x 18.6mm  |                              |
| Weight                              | Printer Mechanism             | Approximately 110g  | ---                          |
|                                     | Printer Mechanism with cutter | ---   | Approximately 270g           |
|                                     | Interface board (standard)    | Approximately 30g   |                              |
|                                     | Interface board (hi speed)    | Approximately 45g   |                              |
| Life                                | Head                          | Pulse durability: $1 \times 10^8$ pulse/dot (using Fujitsu Components' standard driving method)<br>Wear resistance: 100 km (at 12.5% print ratio) |                              |
|                                     | Cutter                        | ---   | 500,000 cuts min.            |
| Environmental conditions            | Operating temperature         | -25°C to +70°C (Guarantee)  | -10°C to +55°C (Guarantee)   |
|                                     | Operating humidity            | 20 to 85% RH (no condensation)  |                              |
|                                     | Storage temperature           | -40°C to +85°C (excluding paper)  | -20°C to +60°C               |
|                                     | Storage humidity              | 5 to 95% RH (no condensation)   |                              |
| Detection                           | Head temperature              | By thermistor   |                              |
|                                     | Paper out/Mark detect         | By photointerrupter   |                              |
|                                     | Head release                  | By slide switch   |                              |
| Recommended thermal sensitive paper | High sensitivity paper        | TF50KS-E4 (Nippon paper)  |                              |
|                                     | Standard paper                | TF60KS-E (Nippon paper), FTP-020P0104 (58mm), PD150R (Oji paper), FTP-020P020P0701 (58mm)   |                              |
|                                     | Medium term paper             | TP60KS-F1 (Nippon paper), FTP-020P0102(58mm), PD170R (Oji paper) P220VBB-1 (Mitsubishi paper) PD160R-N (Oji paper)                                |                              |
|                                     | Long term paper               | AFP-235 (Mitsubishi paper) TP50KJ-R (Nippon paper) HA220AA (Nippon paper)   |                              |

## FUNCTION

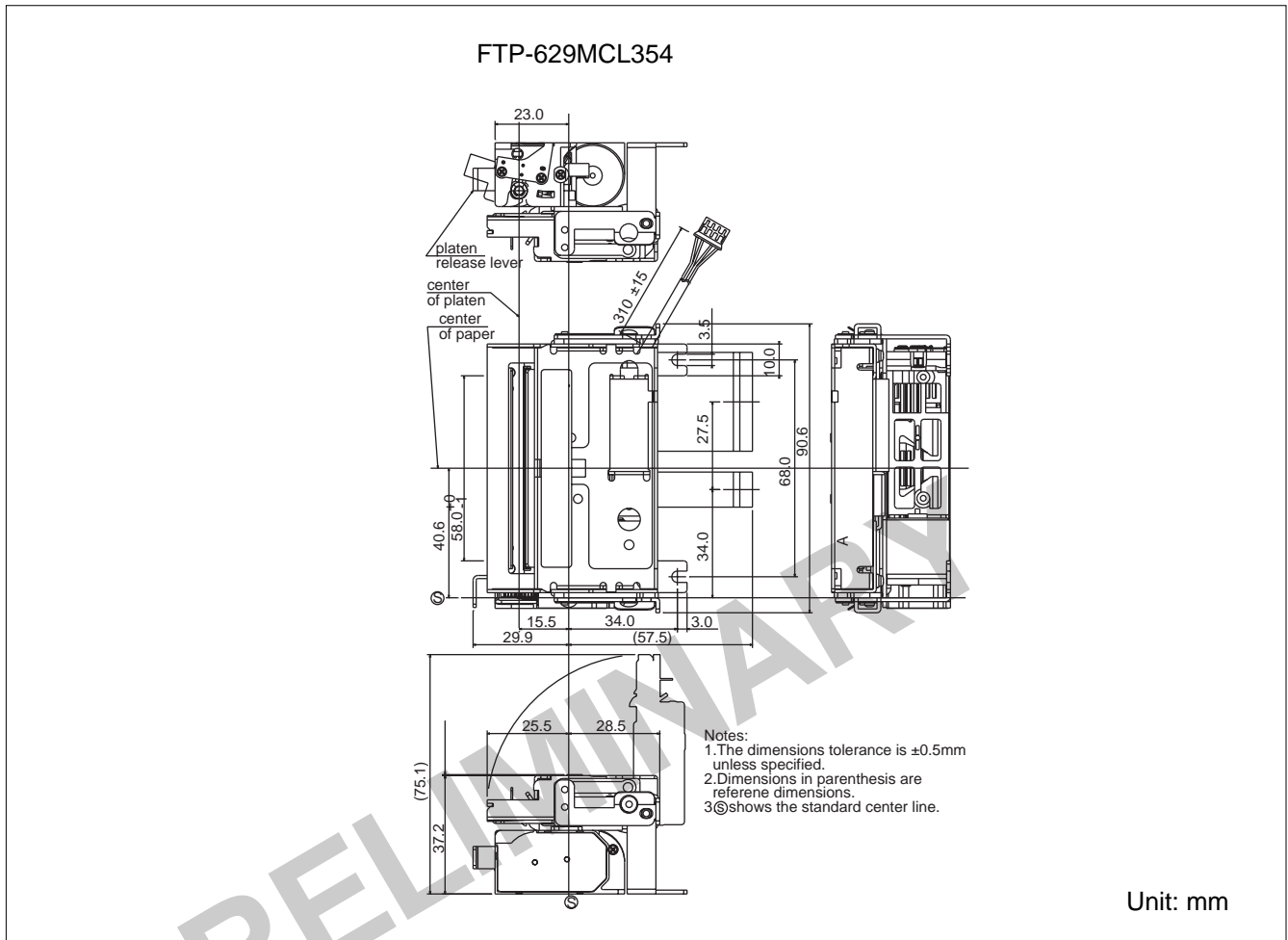
| ITEM |  | ITEM |                                  |
|------|--|------|----------------------------------|
| 1.   | Test printing                            | 8.   | Cutter trouble detection         |
| 2.   | Paper-out detection                      | 9.   | Motor power save                 |
| 3.   | Paper near end detection                 | 10.  | Mark detection                   |
| 4.   | Head-up detection                        | 11.  | MCU trouble detection            |
| 5.   | Abnormal temp. of thermal head detection | 12.  | Power on/off sequence protection |
| 6.   | Blown fuse detection                     | 13.  | Motor protection                 |
| 7.   | Abnormal voltage detection of head       | 14.  | Hardware timer                   |

## DIMENSIONS

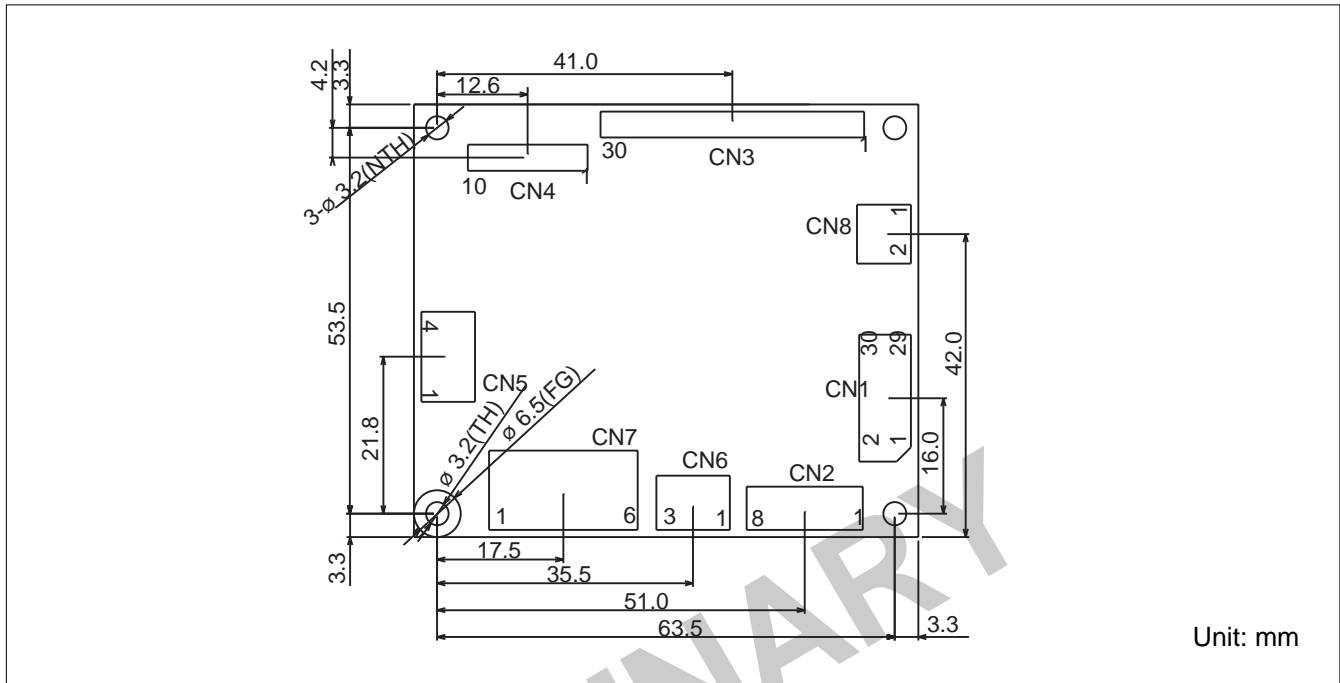
### 1. Printer mechanism



## 2. Printer mechanism



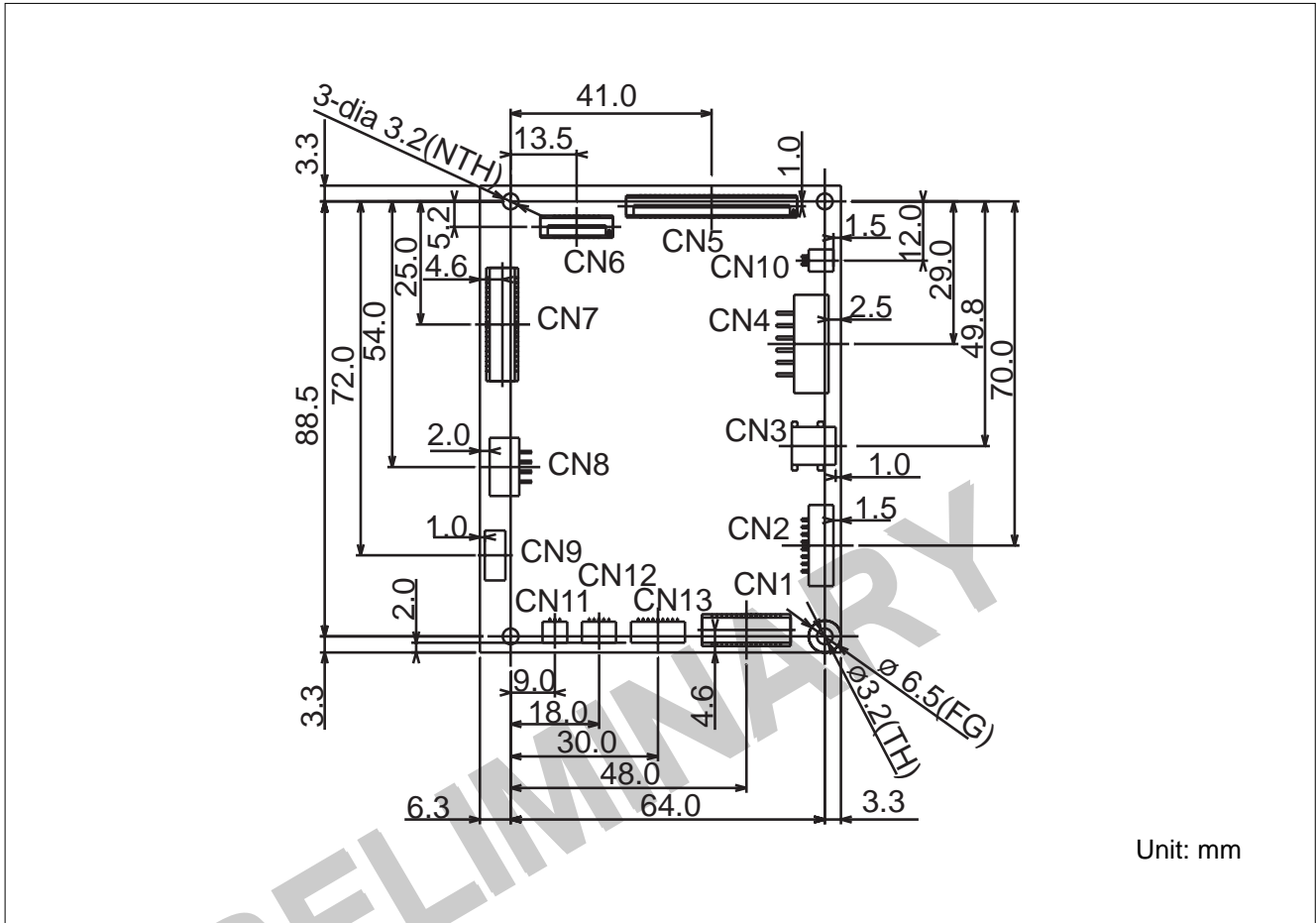
## Interface board - FTP-629DCL/DSL0XX



## Connectors on Control Board - FTP-629DCL/DSL0XX

| No. | Name                       | Function                            |
|-----|----------------------------|-------------------------------------|
| CN1 | Centro I/F Connector       | Connection for Centronics Interface |
| CN2 | RS-232C I/F Connector      | Connection for RS-232C Interface    |
| CN3 | Thermal Head Connector     | Connection for Thermal Head (FPC)   |
| CN4 | Printer Motor Connector    | Connection for Printer Motor (FPC)  |
| CN5 | Cutter Connector           | Connection for Paper Cutter         |
| CN6 | Logic Power Connector      | Connection for +5V Power Supply     |
| CN7 | Head Motor Power Connector | Connection for +24V Power Supply    |
| CN8 | Near End Sensor Connector  | Connection for Near End Sensor      |

## 3. Interface Board - FTP-629DCL/DSL100 Series



### Connectors on Control Board - FTP-629DCL/DSL100 Series

| No.  | Name                              | Function                                  | Remark |
|------|-----------------------------------|---|--------|
| CN1  | Centro I/F Connector              | Connection for Centronics Interface       |        |
| CN2  | RS-232C I/F Connector             | Connection for RS-232C Interface          |        |
| CN3  | USB I/F Connector                 | Connection for USB Interface              |        |
| CN4  | Power Connector                   | Connection for +24V Power Supply          |        |
| CN5  | Thermal Head Connector            | Connection for Thermal Head (FPC)         | *1     |
| CN6  | Printer Motor Connector           | Connection for Printer Motor (FPC)        | *1     |
| CN7  | Head/Motor Connector              | Connection for Thermal Head/Printer Motor | *1     |
| CN8  | Cutter Connector                  | Connection for Paper Cutter               |        |
| CN9  | Conveyance Motor Connector        | Connection for Conveyance Motor           |        |
| CN10 | Near End Sensor Connector         | Connection for Near End Sensor            |        |
| CN12 | Mecha-Tilte/Mark Sensor Connector | Connection for Mecha-Tilte/Mark Sensor    |        |
| CN13 | Conveyance Motor Connector        | Connection for Conveyance Motor           |        |

\*1: When CN5 and CN6 are mounted, CN7 is not mounted. When CN7 is mounted, CN5 and CN6 are not mounted.

## ■ CONNECTOR PIN ASSIGNMENT OF PRINTER MECHANISM (FPC)

### 1. Thermal head control circuit side

Part number : 52610-3090 (Molex) or equivalent

| No | Signal                   | I/O | Contents               | No | Signal                   | I/O | Contents               |
|----|--------------------------|-----|------------------------|----|--------------------------|-----|------------------------|
| 1  | SW                       | O   | Platen open switch     | 2  | SW                       | -   | Platen open switch     |
| 3  | VH                       | -   | Power for thermal head | 4  | VH                       | -   | Power for thermal head |
| 5  | VH                       | -   | Power for thermal head | 6  | VH                       | -   | Power for thermal head |
| 7  | DI                       | I   | Data in                | 8  | $\overline{\text{STB2}}$ | I   | Print enable 2         |
| 9  | $\overline{\text{STB3}}$ | I   | Print enable 3         | 10 | VDD                      | -   | Power for logic        |
| 11 | TM                       | -   | Thermistor             | 12 | GND                      | -   | Head GND               |
| 13 | GND                      | -   | Head GND               | 14 | GND                      | -   | Head GND               |
| 15 | GND                      | -   | Head GND               | 16 | GND                      | -   | Head GND               |
| 17 | GND                      | -   | Head GND               | 18 | GND                      | -   | Head GND               |
| 19 | GND                      | -   | Head GND               | 20 | GND                      | -   | Head GND               |
| 21 | TH                       | O   | Thermistor             | 22 | $\overline{\text{STB1}}$ | I   | Print enable 1         |
| 23 | NC                       | I   | Not connected          | 24 | $\overline{\text{LAT}}$  | I   | Print data latch       |
| 25 | CLK                      | I   | Clock                  | 26 | DO                       | O   | Data output            |
| 27 | VH                       | -   | Power for thermal head | 28 | VH                       | -   | Power for thermal head |
| 29 | VH                       | -   | Power for thermal head | 30 | VH                       | -   | Power for thermal head |

### 2. Motor, Sensor

Connector on circuit side : 52610-1090 (Molex) or equivalent

| No. | Signal | I/O | Contents                 | No. | Signal                  | I/O | Contents                 |
|-----|--------|-----|--------------------------|-----|-------------------------|-----|--------------------------|
| 1   | NC     | -   | Not connected            | 2   | TM                      | O   | Motor temperature sensor |
| 3   | TM     | -   | Motor temperature sensor | 4   | MT/A                    | I/O | Motor coil excitation A  |
| 5   | MTA    | I/O | Motor coil excitation A  | 6   | MT/B                    | I/O | Motor coil excitation B  |
| 7   | MTB    | I/O | Motor coil excitation B  | 8   | PHK                     | -   | Paper out sensor cathode |
| 9   | VSEN   | -   | Power for paper sensor   | 10  | $\overline{\text{PHE}}$ | O   | Paper out sensor emitter |

### 3. Cutter

Connector type: B4B-PH-SM3-TB (J.S.T.) or equivalent

| No. | Signal | I/O | Contents                    | No. | Signal | I/O | Contents                    |
|-----|--------|-----|-----------------------------|-----|--------|-----|-----------------------------|
| 1   | SW1    | O   | Cutter home position switch | 2   | SW2    | O   | Cutter home position switch |
| 3   | M+     | I/O | Cutter motor drive          | 4   | M-     | I/O | Cutter motor drive          |

## ■ INTERFACE, COMMAND, OPTIONS

Please refer to the FTP-629DCL/DSL or FTP-629DCL/DSL100 series datasheet.



**Fujitsu Components  
International  
Headquarter  
Offices**

**Japan**

Fujitsu Component Limited  
Gotanda-Chuo Building  
3-5, Higashigotanda 2-chome, Shinagawa-ku  
Tokyo 141, Japan  
Tel: (81-3) 5449-7010  
Fax: (81-3) 5449-2626  
Email: [promothq@ft.ed.fujitsu.com](mailto:promothq@ft.ed.fujitsu.com)  
Web: [www.fcl.fujitsu.com](http://www.fcl.fujitsu.com)

**North and South America**

Fujitsu Components America, Inc.  
250 E. Caribbean Drive  
Sunnyvale, CA 94089 U.S.A.  
Tel: (1-408) 745-4900  
Fax: (1-408) 745-4970  
Email: [marcom@fcai.fujitsu.com](mailto:marcom@fcai.fujitsu.com)  
Web: [www.fcai.fujitsu.com](http://www.fcai.fujitsu.com)

**Europe**

Fujitsu Components Europe B.V.  
Diamantlaan 25  
2132 WV Hoofddorp  
Netherlands  
Tel: (31-23) 5560910  
Fax: (31-23) 5560950  
Email: [info@fceu.fujitsu.com](mailto:info@fceu.fujitsu.com)  
Web: [www.fceu.fujitsu.com](http://www.fceu.fujitsu.com)

**Asia Pacific**

Fujitsu Components Asia Ltd.  
102E Pasir Panjang Road  
#04-01 Citilink Warehouse Complex  
Singapore 118529  
Tel: (65) 6375-8560  
Fax: (65) 6273-3021  
Email: [fcal@fcal.fujitsu.com](mailto:fcal@fcal.fujitsu.com)  
[www.fcal.fujitsu.com](http://www.fcal.fujitsu.com)

© 2004 Fujitsu Components America, Inc. All company and product names are trademarks or registered trademarks of their respective owners. Rev. 07/22/2004.

PRELIMINARY