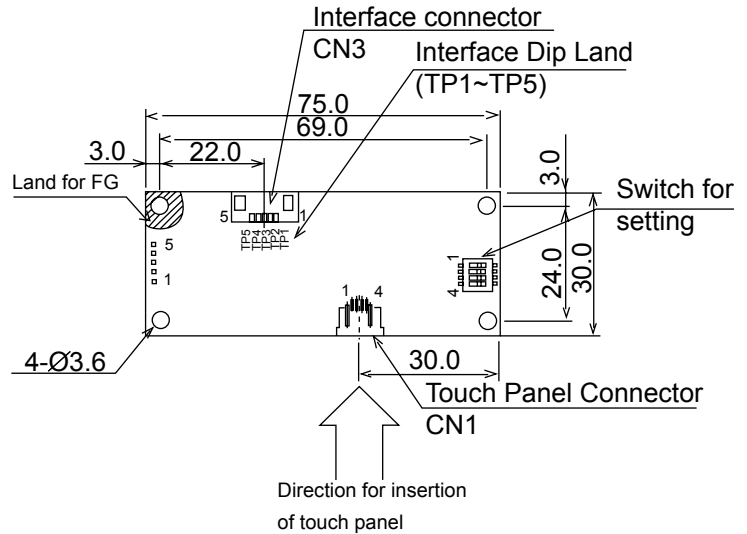
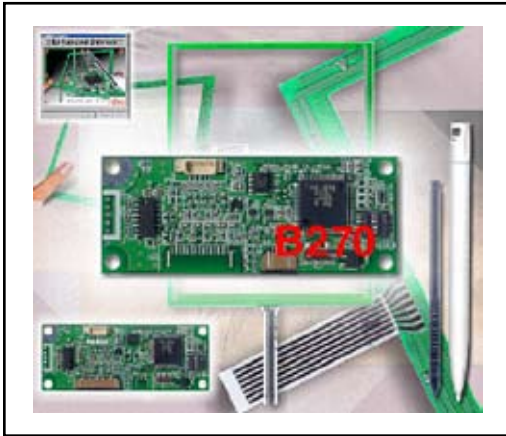


TOUCH PANEL CONTROL BOARD 4-WIRE Serial

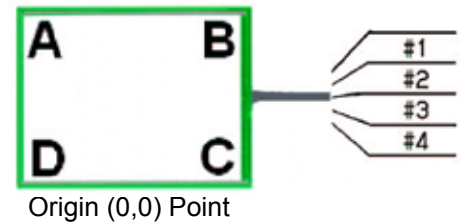
N16B-0558-B270 Serial Interface Controller Board Quick Reference

4-Wire Resistive Touch Panels



■ FEATURES

- High quality and reliability touch panel control board with integrated switch for selectable cable tail exit direction for FPC cable 4-wire touch panels.
- RS-232C interface for direct connection to PC or serial interfaces.
- Used to control 4-wire resistive touch panels.
- PnP or non-PnP mode selectable
- RoHS compliant



■ SWITCH SETTINGS

SW1	Orientation mode selection switches	OFF		ON		OFF		ON		<table border="1"> <tr><th colspan="2">Connector Pin Assignment</th></tr> <tr><td>#1</td><td>Top</td></tr> <tr><td>#2</td><td>Right</td></tr> <tr><td>#3</td><td>Bottom</td></tr> <tr><td>#4</td><td>Left</td></tr> </table>	Connector Pin Assignment		#1	Top	#2	Right	#3	Bottom	#4	Left	Type A
Connector Pin Assignment																					
#1	Top																				
#2	Right																				
#3	Bottom																				
#4	Left																				
SW2	ON	OFF	OFF	ON	OFF	ON	ON	OFF	<table border="1"> <tr><th colspan="2">Connector Pin Assignment</th></tr> <tr><td>#1</td><td>Left</td></tr> <tr><td>#2</td><td>Top</td></tr> <tr><td>#3</td><td>Right</td></tr> <tr><td>#4</td><td>Bottom</td></tr> </table>	Connector Pin Assignment		#1	Left	#2	Top	#3	Right	#4	Bottom	Type B	
Connector Pin Assignment																					
#1	Left																				
#2	Top																				
#3	Right																				
#4	Bottom																				

SW3: PnP setting: SW3 ON is PnP enable, SW3 OFF is PnP disable.
Connector Pin Assignment listed on individual panel drawings.

Serial 4 -Wire Control Board

■ CONSTRUCTION

Specification Item		N16B-0558-B270 -4Wire Serial Control Board
Mechanical	Size / Weight	75mm x 30mm / 30 g
Electrical	Supply Voltage (max./min.)	Vcc 5.5V at Vss=6V / Vcc is 4.5V at Vss=0.3V
	Operating current (detect)	57 mA at Vcc = 5V and T = 25 degrees
	Sleep Mode current	16 mA at Vcc = 5V and T = 25 degree s
Environment	Operating Temperature	-5° C to +60° C
	Storage Temperature	-30° C to +70° C
	Humidity	20%RH to 85% RH at +38° C maximum wet bulb temperature

■ TOUCH PANEL CONNECTION CN1 (FCI: SFW4R-1STAE1-LF)

■ INTERFACE CONNECTION CN3 (Molex: 53398-0571)

		-B230	Host
1.	+5V (Vcc)	1+5V	+5V
2.	Transmit data	2 TXD	RXD
3.	Receive data	3 RXD	TXD
4.		4 CTS	RTS*
5.	Ground	5 Gnd	Gnd

* optional: used for plug-n-play detection

Complete specification document is available on request for customers with whom we have an approved NDA in place.

Fujitsu Components International Headquarter Offices

<p>Japan Fujitsu Component Limited Gotanda-Chuo Building 3-5, Higashigotanda 2-chome, Shinagawa-ku Tokyo 141, Japan Tel: (81-3) 5449-7010 Fax: (81-3) 5449-2626 Email: promothq@ft.ed.fujitsu.com Web: www.fcl.fujitsu.com</p>	<p>Europe Fujitsu Components Europe B.V. Diamantlaan 25 2132 WV Hoofddorp Netherlands Tel: (31-23) 5560910 Fax: (31-23) 5560950 Email: info@fceu.fujitsu.com Web: emea.fujitsu.com/components/</p>
<p>North and South America Fujitsu Components America, Inc. 250 E. Caribbean Drive Sunnyvale, CA 94089 U.S.A. Tel: (1-408) 745-4900 Fax: (1-408) 745-4970 Email: components@us.fujitsu.com Web: http://www.fujitsu.com/us/services/edevices/components/</p>	<p>Asia Pacific Fujitsu Components Asia Ltd. 102E Pasir Panjang Road #01-01 Citilink Warehouse Complex Singapore 118529 Tel: (65) 6375-8560 Fax: (65) 6273-3021 Email: fcal@fcal.fujitsu.com Web: http://www.fujitsu.com/sg/services/micro/components/</p>

©2006 Fujitsu Components America, Inc. All rights reserved. All trademarks or registered trademarks are the property of their respective owners.

Fujitsu Components America or its affiliates do not warrant that the content of datasheet is error free. In a continuing effort to improve our products Fujitsu Components America, Inc. or its affiliates reserve the right to change specifications/datasheets without prior notice.
Rev. May25/2006