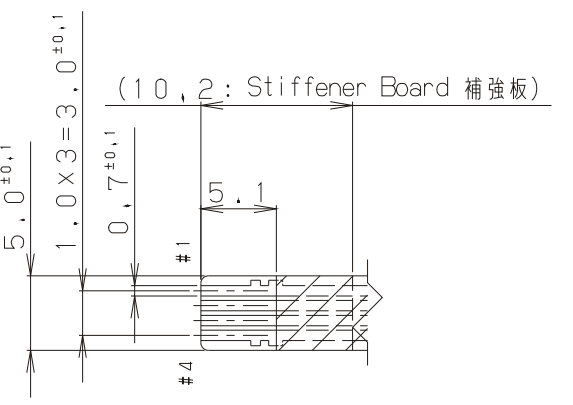
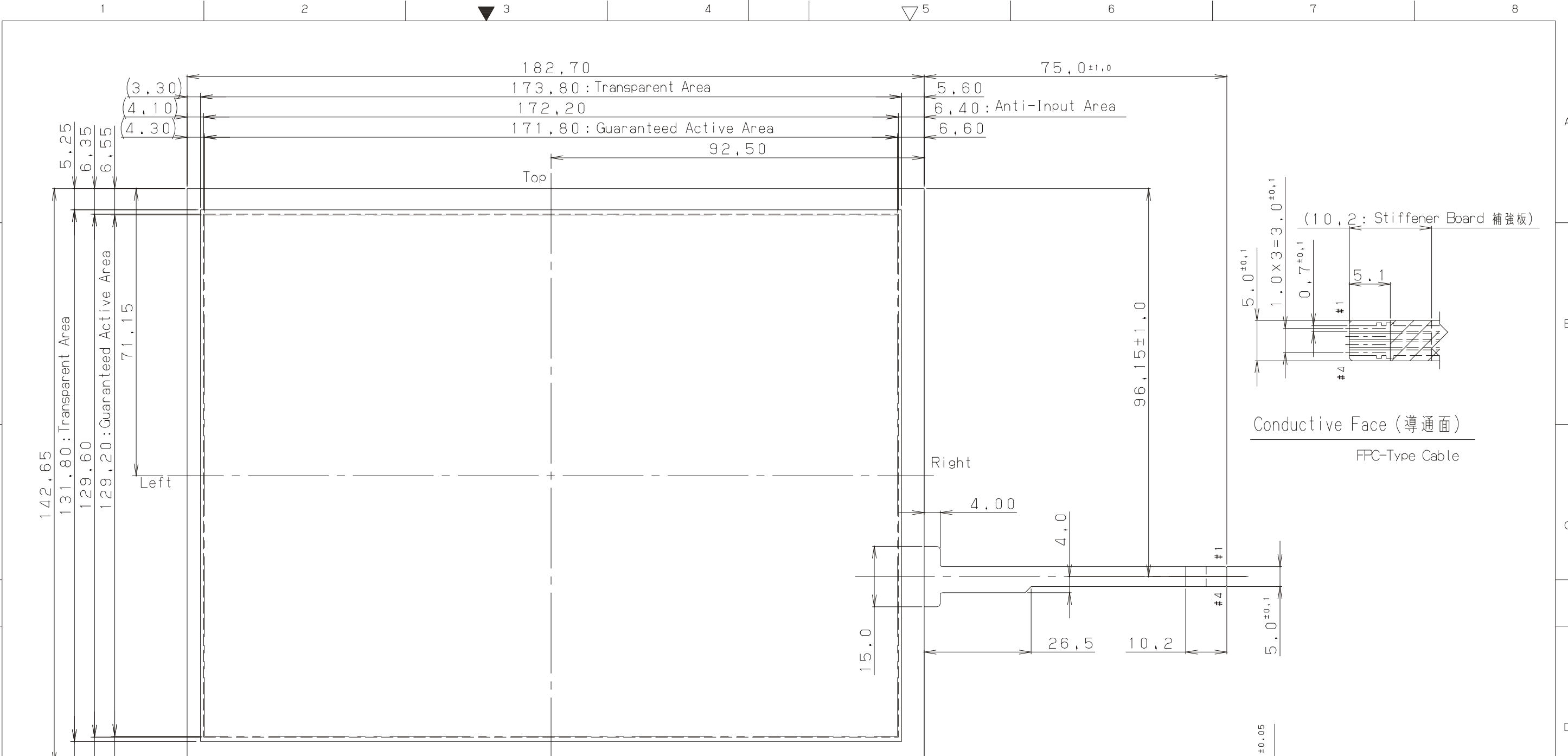
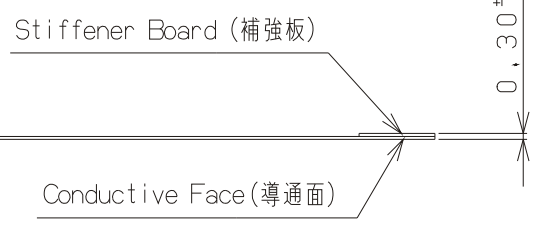


DATE DOCUMENT CONTROL SECTION



Conductive Face (導通面)  
FPC-Type Cable



Connector Pin Assignment

Pin #	Description
# 1	Top
# 2	Right
# 3	Bottom
# 4	Left

NOTE  
1, Tolerance: ± 0,5 (1, 指定なき寸法公差は±0.5とする。)

				TITLE タッチパネル個別製品仕様書 Touch Panel Individual Spec.	
				DRAW. NO. Tech Bes F&T-10267	
				CUST.	
EDIT.	DATE	DESIG.	CHECK	DESCRIPTION	
DESIG.			CHECK	APPR.	
				FUJITSU TAKAMISAWA COMPONENT LIMITED	
				5/5	