

Memory FRAM

1 M Bit (128 K × 8)

MB85R1001A

■ DESCRIPTIONS

The MB85R1001A is an FRAM (Ferroelectric Random Access Memory) chip consisting of 131,072 words × 8 bits of nonvolatile memory cells fabricated using ferroelectric process and silicon gate CMOS process technologies.

The MB85R1001A is able to retain data without using a back-up battery, as is needed for SRAM.

The memory cells used in the MB85R1001A can be used for 10^{10} read/write operations, which is a significant improvement over the number of read and write operations supported by Flash memory and E²PROM.

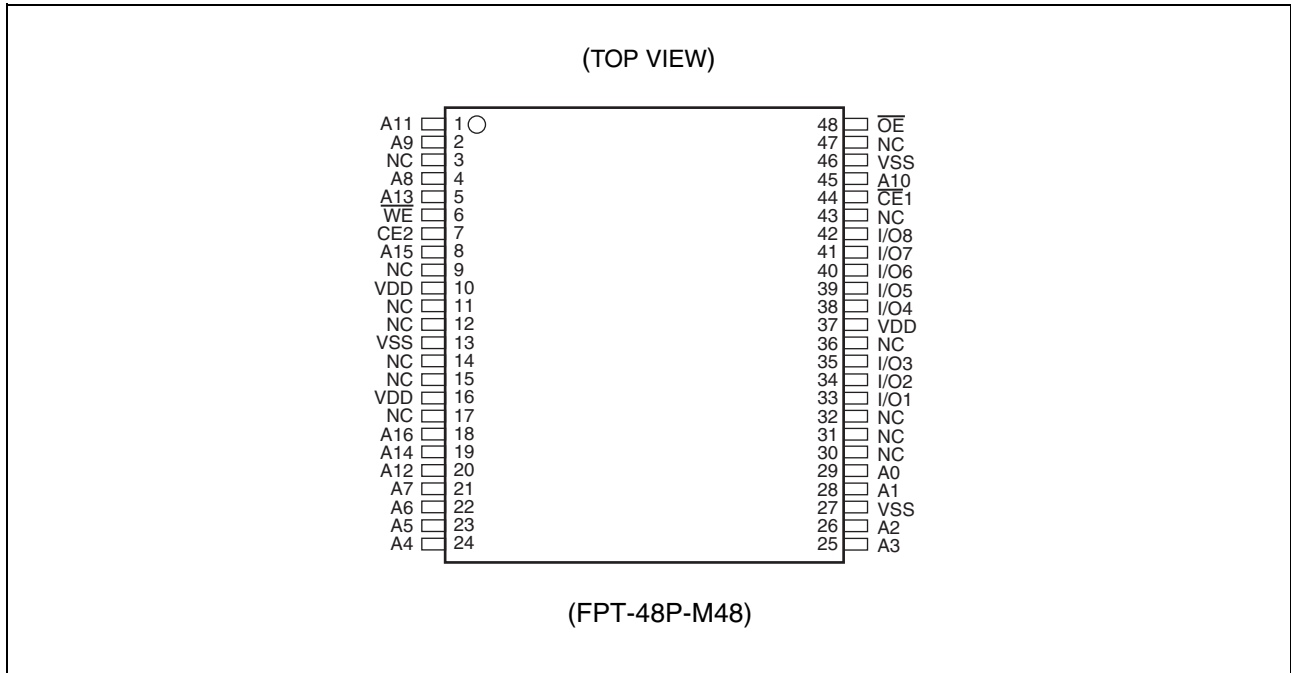
The MB85R1001A uses a pseudo-SRAM interface.

■ FEATURES

- Bit configuration : 131,072 words × 8 bits
- Read/write endurance : 10^{10} times / byte
- Data retention : 10 years (+ 55 °C), 55 years (+ 35 °C)
- Operating power supply voltage : 3.0 V to 3.6 V
- Low power operation : Operating power supply current 10 mA (Typ)
Standby current 10 μA (Typ)
- Operation ambient temperature range : - 40 °C to + 85 °C
- Package : 48-pin plastic TSOP (FPT-48P-M48)
RoHS compliant

MB85R1001A

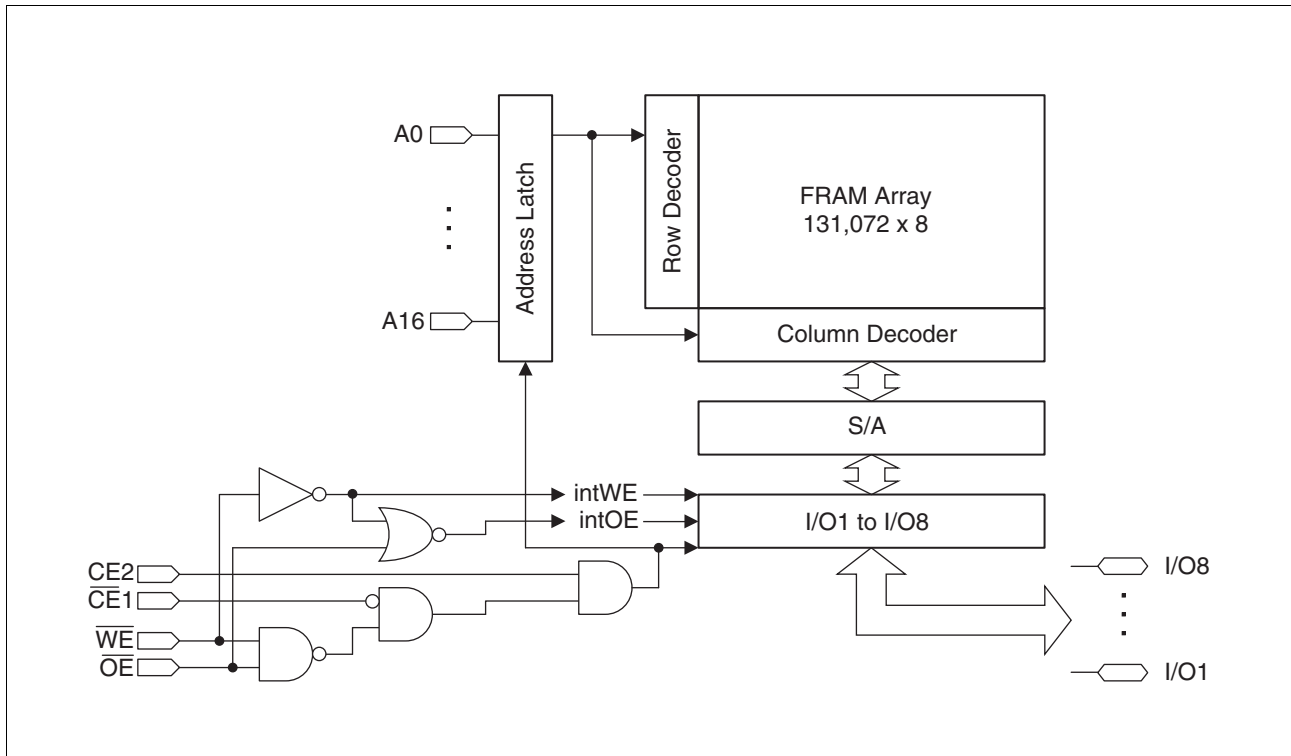
■ PIN ASSIGNMENTS



■ PIN DESCRIPTIONS

Pin Number	Pin Name	Functional Description
1, 2, 4, 5, 8, 18 to 26, 28, 29, 45	A0 to A16	Address Input pins
33 to 35, 38 to 42	I/O1 to I/O8	Data Input/Output pins
44	$\overline{CE}1$	Chip Enable 1 Input pin
7	CE2	Chip Enable 2 Input pin
6	\overline{WE}	Write Enable Input pin
48	\overline{OE}	Output Enable Input pin
10, 16, 37	VDD	Supply Voltage pins Connect all three pins to the power supply.
13, 27, 46	VSS	Ground pins Connect all three pins to ground.
3, 9, 11, 12, 14, 15, 17, 30 to 32, 36, 43, 47	NC	No Connect pins Leave these pins open, or connect to VDD or VSS.

■ BLOCK DIAGRAM



■ FUNCTIONAL TRUTH TABLE

Operation Mode	$\overline{CE1}$	CE2	\overline{WE}	\overline{OE}	I/O1 to I/O8	Supply Current
Standby Precharge	H	X	X	X	Hi-Z	Standby (I _{SB})
	X	L	X	X		
	X	X	H	H		
Read	\downarrow	H	H	L	Data Output	Operation (I _{DD})
	L	\uparrow				
Read (Pseudo-SRAM, \overline{OE} control*1)	L	H	H	\downarrow		
Write	\downarrow	H	L	H	Data Input	
	L	\uparrow				
Write (Pseudo-SRAM, \overline{WE} control*2)	L	H	\downarrow	H		

Note: L = V_{IL}, H = V_{IH}, X can be either H, L, \downarrow or \uparrow , Hi-Z = High Impedance

\downarrow : Latch address and latch data at falling edge, \uparrow : Latch address and latch data at rising edge

*1: \overline{OE} control of the Pseudo-SRAM means the valid address at the falling edge of \overline{OE} to read.

*2: \overline{WE} control of the Pseudo-SRAM means the valid address and data at the falling edge of \overline{WE} to write.

■ ABSOLUTE MAXIMUM RATINGS

Parameter	Symbol	Rating		Unit
		Min	Max	
Power Supply Voltage*	V _{DD}	- 0.5	+ 4.0	V
Input Pin Voltage*	V _{IN}	- 0.5	V _{DD} + 0.5 (≤ 4.0)	V
Output Pin Voltage*	V _{OUT}	- 0.5	V _{DD} + 0.5 (≤ 4.0)	V
Operation ambient temperature	T _A	- 40	+ 85	°C
Storage Temperature	T _{STG}	- 55	+ 125	°C

* : All voltages are referenced to VSS = 0 V.

WARNING: Semiconductor devices can be permanently damaged by application of stress (voltage, current, temperature, etc.) in excess of absolute maximum ratings. Do not exceed these ratings.

■ RECOMMENDED OPERATING CONDITIONS

Parameter	Symbol	Value			Unit
		Min	Typ	Max	
Power Supply Voltage ^{*1}	V _{DD}	3.0	3.3	3.6	V
Operation ambient temperature ^{*2}	T _A	- 40	—	+ 85	°C

*1 : All voltages are referenced to VSS = 0 V.

*2 : Ambient temperature when only this device is working. Please consider it to be the almost same as the package surface temperature.

WARNING: The recommended operating conditions are required in order to ensure the normal operation of the semiconductor device. All of the device's electrical characteristics are warranted when the device is operated within these ranges.

Always use semiconductor devices within their recommended operating condition ranges. Operation outside these ranges may adversely affect reliability and could result in device failure. No warranty is made with respect to uses, operating conditions, or combinations not represented on the data sheet. Users considering application outside the listed conditions are advised to contact their representatives beforehand.

■ ELECTRICAL CHARACTERISTICS

1. DC Characteristics

(within recommended operating conditions)

Parameter	Symbol	Condition	Value			Unit
			Min	Typ	Max	
Input Leakage Current	I_{LIL}	$V_{IN} = 0 \text{ V to } V_{DD}$	—	—	10	μA
Output Leakage Current	I_{LOL}	$V_{OUT} = 0 \text{ V to } V_{DD}$, $\overline{CE1} = V_{IH}$ or $\overline{OE} = V_{IH}$	—	—	10	μA
Operating Power Supply Current*1	I_{DD}	$\overline{CE1} = 0.2 \text{ V}$, $\overline{CE2} = V_{DD} - 0.2 \text{ V}$, $I_{out} = 0 \text{ mA}$	—	10	15	mA
Standby Current*2	I_{SB}	$\overline{CE1} \geq V_{DD} - 0.2 \text{ V}$	—	10	50	μA
		$\overline{CE2} \leq 0.2 \text{ V}$				
		$\overline{OE} \geq V_{DD} - 0.2 \text{ V}$, $\overline{WE} \geq V_{DD} - 0.2 \text{ V}$				
High Level Input Voltage	V_{IH}	$V_{DD} = 3.0 \text{ V to } 3.6 \text{ V}$	$V_{DD} \times 0.8$	—	$V_{DD} + 0.5$ (≤ 4.0)	V
Low Level Input Voltage	V_{IL}	$V_{DD} = 3.0 \text{ V to } 3.6 \text{ V}$	-0.5	—	+0.6	V
High Level Output Voltage	V_{OH}	$I_{OH} = -1.0 \text{ mA}$	$V_{DD} \times 0.8$	—	—	V
Low Level Output Voltage	V_{OL}	$I_{OL} = 2.0 \text{ mA}$	—	—	0.4	V

*1 : During the measurement of I_{DD} , the Address and Data In were taken to only change once per active cycle.
 I_{out} : output current

*2 : All pins other than setting pins shall be input at the CMOS level voltages such as $H \geq V_{DD} - 0.2 \text{ V}$, $L \leq 0.2 \text{ V}$.

MB85R1001A

2. AC Characteristics

• AC Test Conditions

Power Supply Voltage	: 3.0 V to 3.6 V
Operation Ambient Temperature	: -40 °C to +85 °C
Input Voltage Amplitude	: 0.3 V to 2.7 V
Input Rising Time	: 5 ns
Input Falling Time	: 5 ns
Input Evaluation Level	: 2.0 V / 0.8 V
Output Evaluation Level	: 2.0 V / 0.8 V
Output Load Capacitance	: 50 pF

(1) Read Cycle

Parameter	Symbol	Value		Unit
		Min	Max	
Read Cycle Time	t_{RC}	150	—	ns
CE1 Active Time	t_{CA1}	120	—	ns
CE2 Active Time	t_{CA2}	120	—	ns
\overline{OE} Active Time	t_{RP}	120	—	ns
Precharge Time	t_{PC}	20	—	ns
Address Setup Time	t_{AS}	0	—	ns
Address Hold Time	t_{AH}	50	—	ns
\overline{OE} Setup Time	t_{ES}	0	—	ns
Output Hold Time	t_{OH}	0	—	ns
Output Set Time	t_{LZ}	30	—	ns
CE1 Access Time	t_{CE1}	—	100	ns
CE2 Access Time	t_{CE2}	—	100	ns
\overline{OE} Access Time	t_{OE}	—	100	ns
Output Floating Time	t_{OHZ}	—	20	ns

(2) Write Cycle

Parameter	Symbol	Value		Unit
		Min	Max	
Write Cycle Time	t_{WC}	150	—	ns
CE1 Active Time	t_{CA1}	120	—	ns
CE2 Active Time	t_{CA2}	120	—	ns
Precharge Time	t_{PC}	20	—	ns
Address Setup Time	t_{AS}	0	—	ns
Address Hold Time	t_{AH}	50	—	ns
Write Pulse Width	t_{WP}	120	—	ns
Data Setup Time	t_{DS}	0	—	ns
Data Hold Time	t_{DH}	50	—	ns
Write Setup Time	t_{WS}	0	—	ns

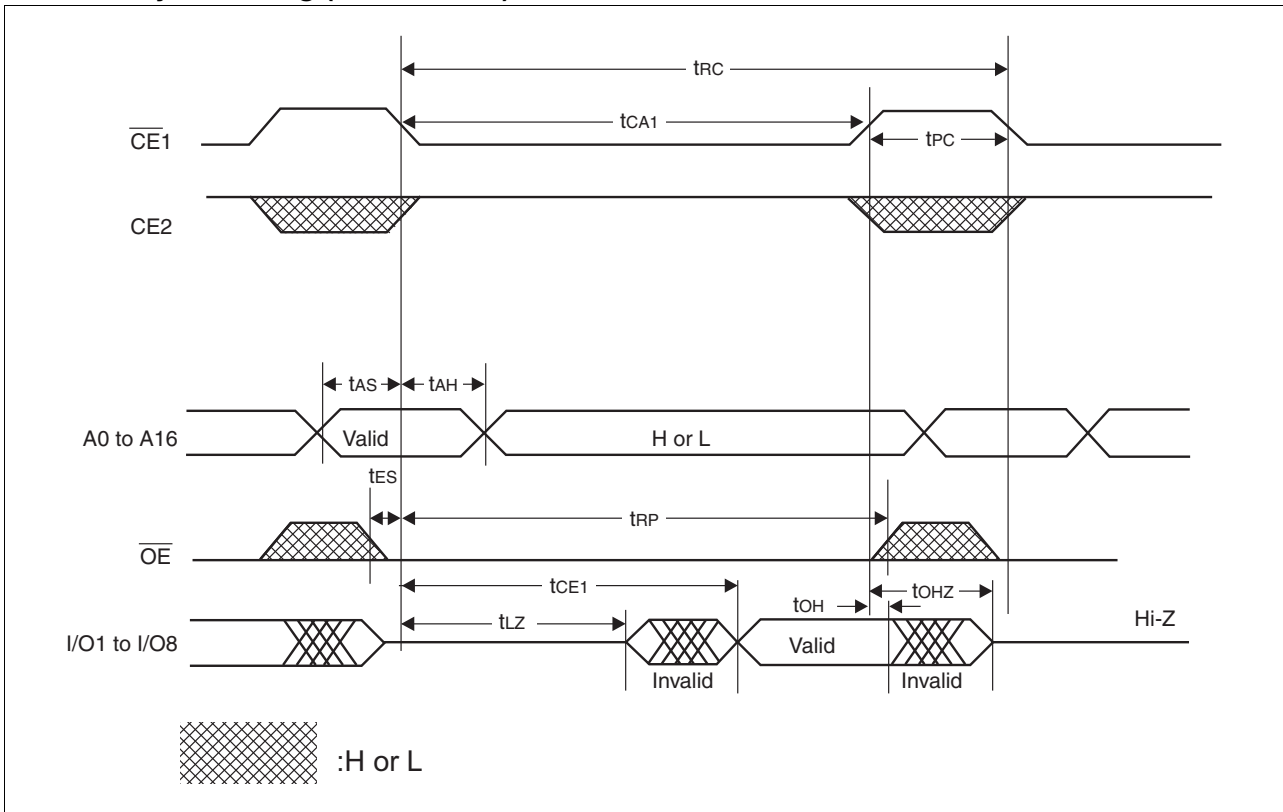
3. Pin Capacitance

Parameter	Symbol	Condition	Value			Unit
			Min	Typ	Max	
Input Capacitance	C_{IN}	$V_{DD} = V_{IN} = V_{OUT} = 0\text{ V}$, $f = 1\text{ MHz}$, $T_A = +25\text{ °C}$	—	—	10	pF
Output Capacitance	C_{OUT}		—	—	10	pF

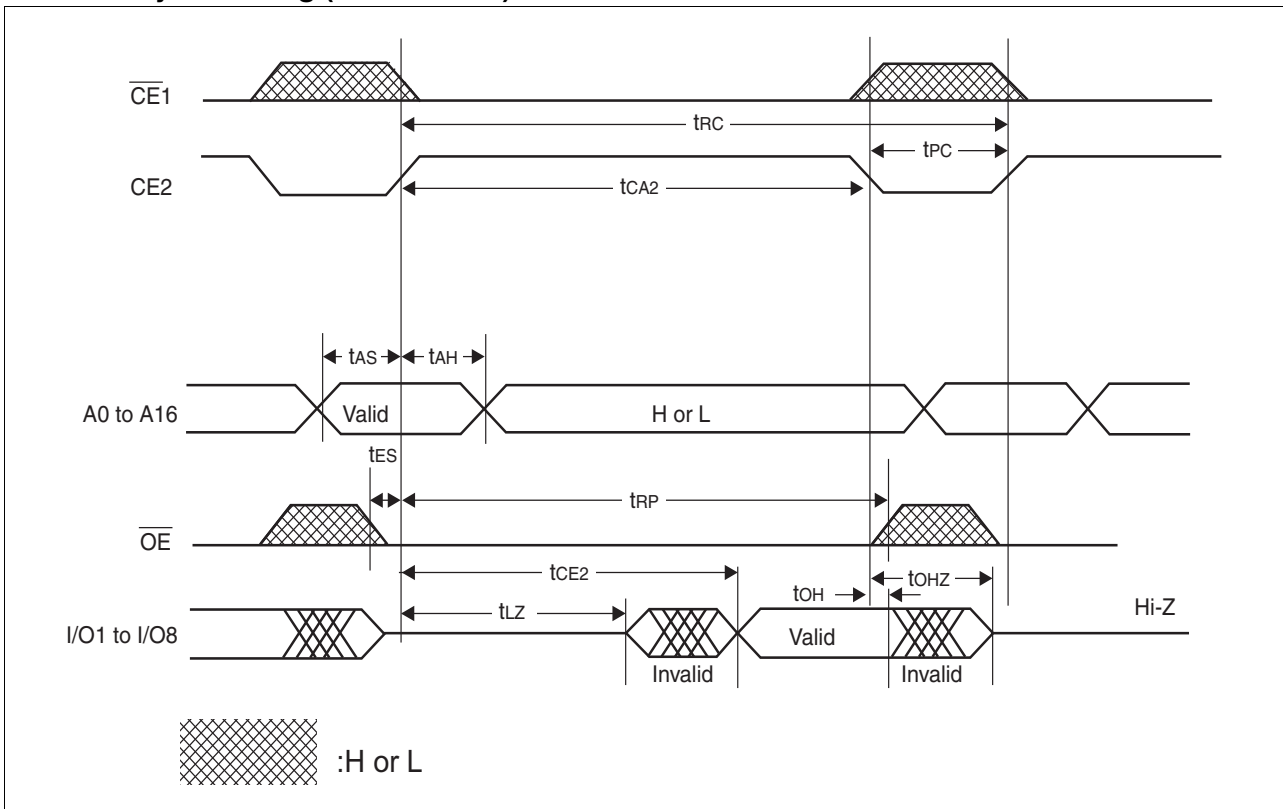
MB85R1001A

■ TIMING DIAGRAMS

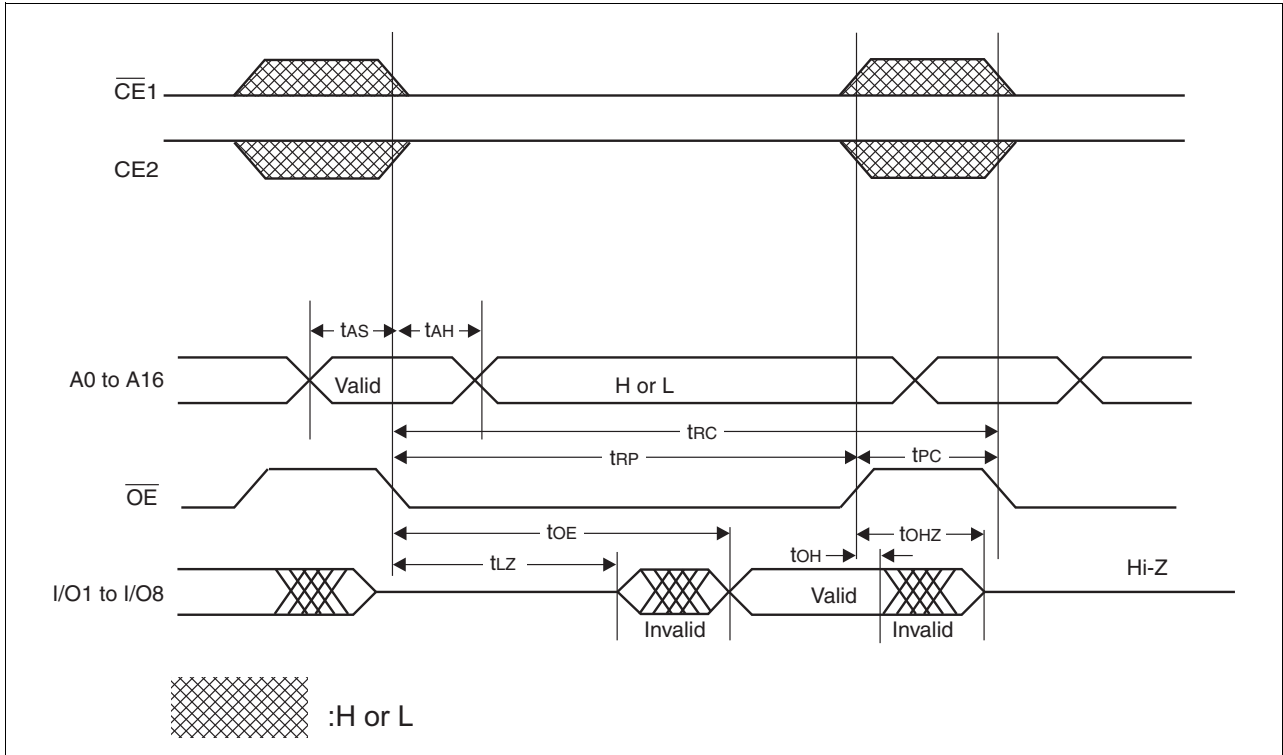
1. Read Cycle Timing ($\overline{CE1}$ Control)



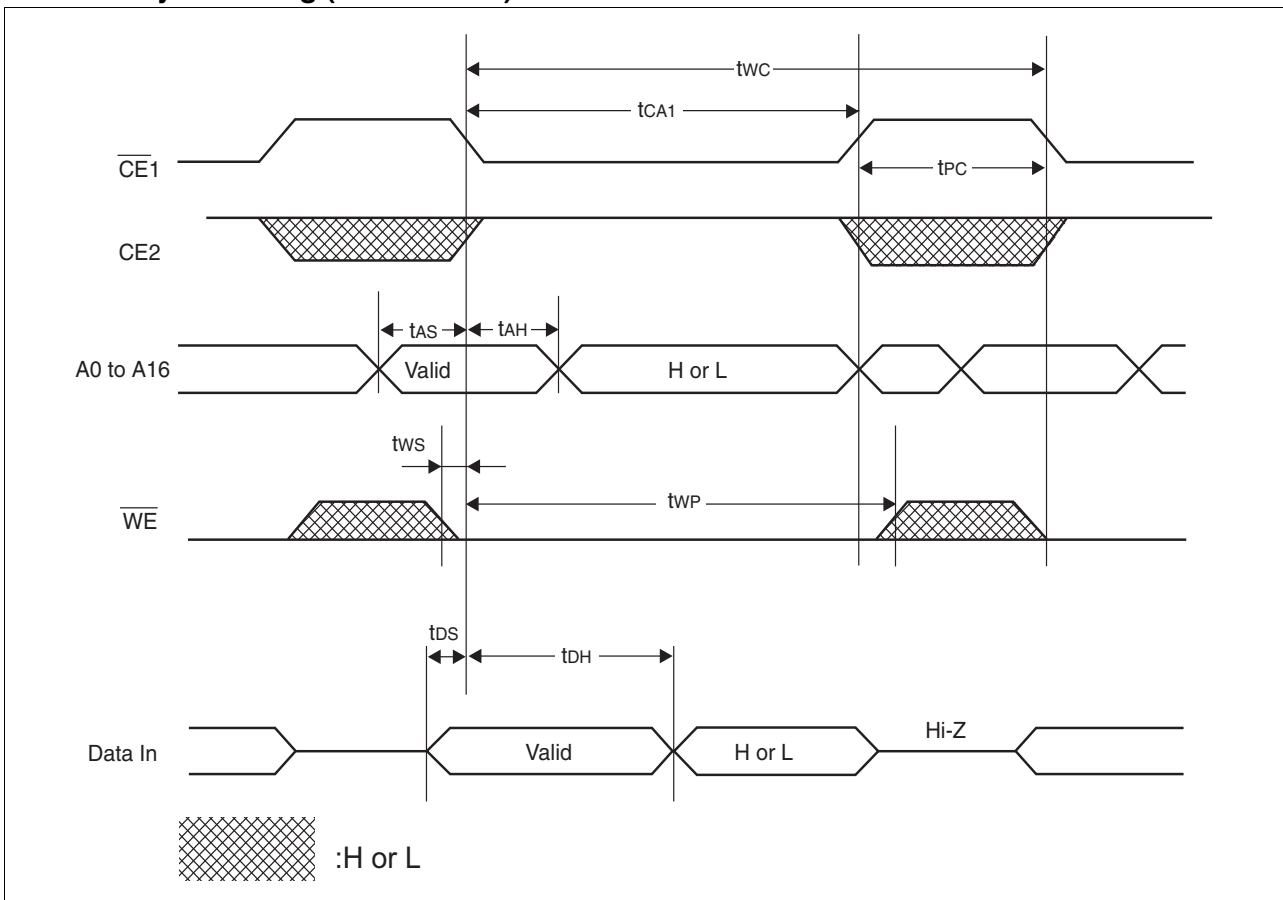
2. Read Cycle Timing (CE2 Control)



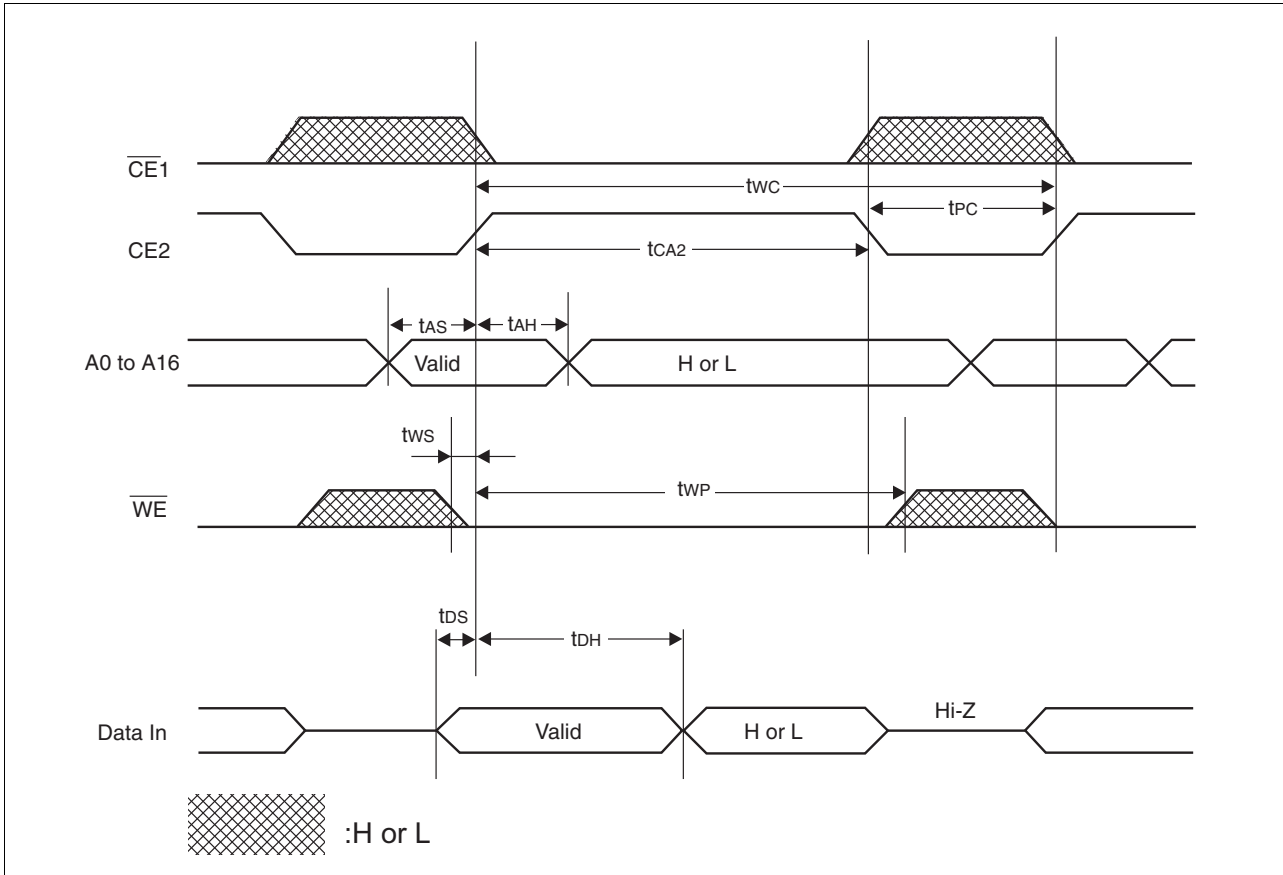
3. Read Cycle Timing (\overline{OE} Control)



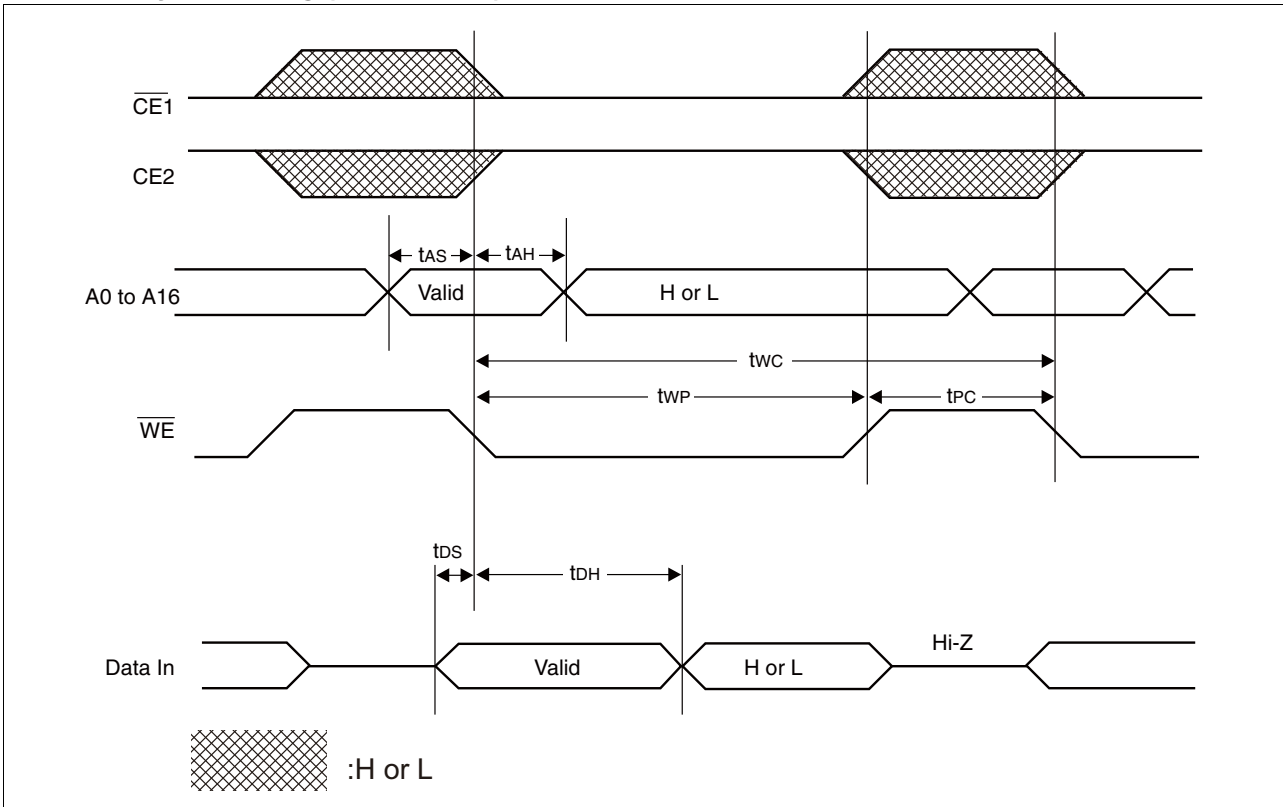
4. Write Cycle Timing ($\overline{CE1}$ Control)



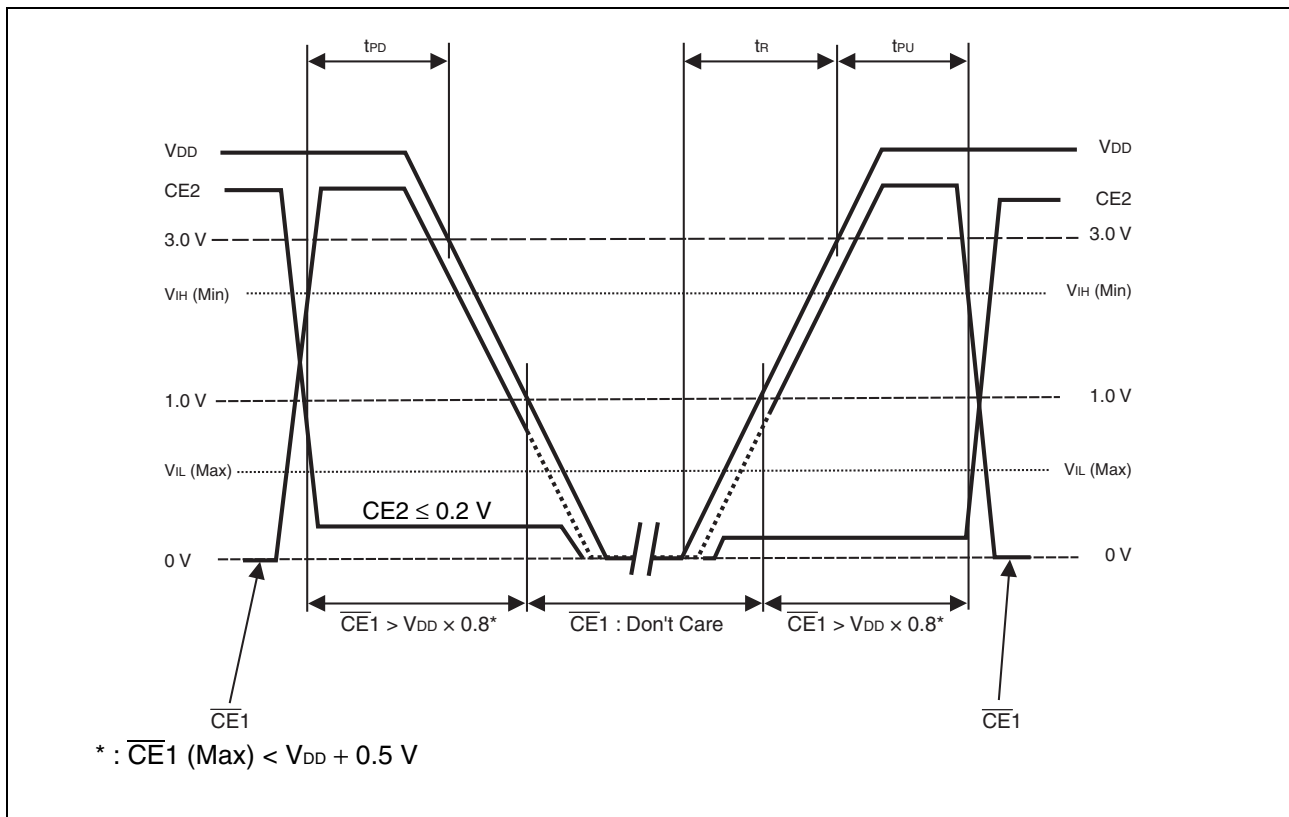
5. Write Cycle Timing (CE2 Control)



6. Write Cycle Timing (WE Control)



POWER ON/OFF SEQUENCE



Parameter	Symbol	Value			Unit
		Min	Typ	Max	
$\overline{CE1}$ level hold time for Power OFF	t_{PD}	85	—	—	ns
$\overline{CE1}$ level hold time for Power ON	t_{PU}	85	—	—	ns
Power supply rising time	t_R	0.05	—	200	ms

If the device does not operate within the specified conditions of read cycle, write cycle or power on/off sequence, memory data can not be guaranteed.

In case the power is turned on or off, use the power supply reset IC and fix the CE2 to low level, to prevent unexpected writing. Use either of $\overline{CE1}$ or CE2, or both to disable control of the device.

FRAM CHARACTERISTICS

Item	Min	Max	Unit	Parameter
Read/Write Endurance*1	10^{10}	—	Times/byte	Operation Ambient Temperature $T_A = +85\text{ }^\circ\text{C}$
Data Retention*2	10	—	Years	Operation Ambient Temperature $T_A = +55\text{ }^\circ\text{C}$
	55	—		Operation Ambient Temperature $T_A = +35\text{ }^\circ\text{C}$

*1 : Total number of reading and writing defines the minimum value of endurance, as an FRAM memory operates with destructive readout mechanism.

*2 : Minimum values define retention time of the first reading/writing data right after shipment, and these values are calculated by qualification results.

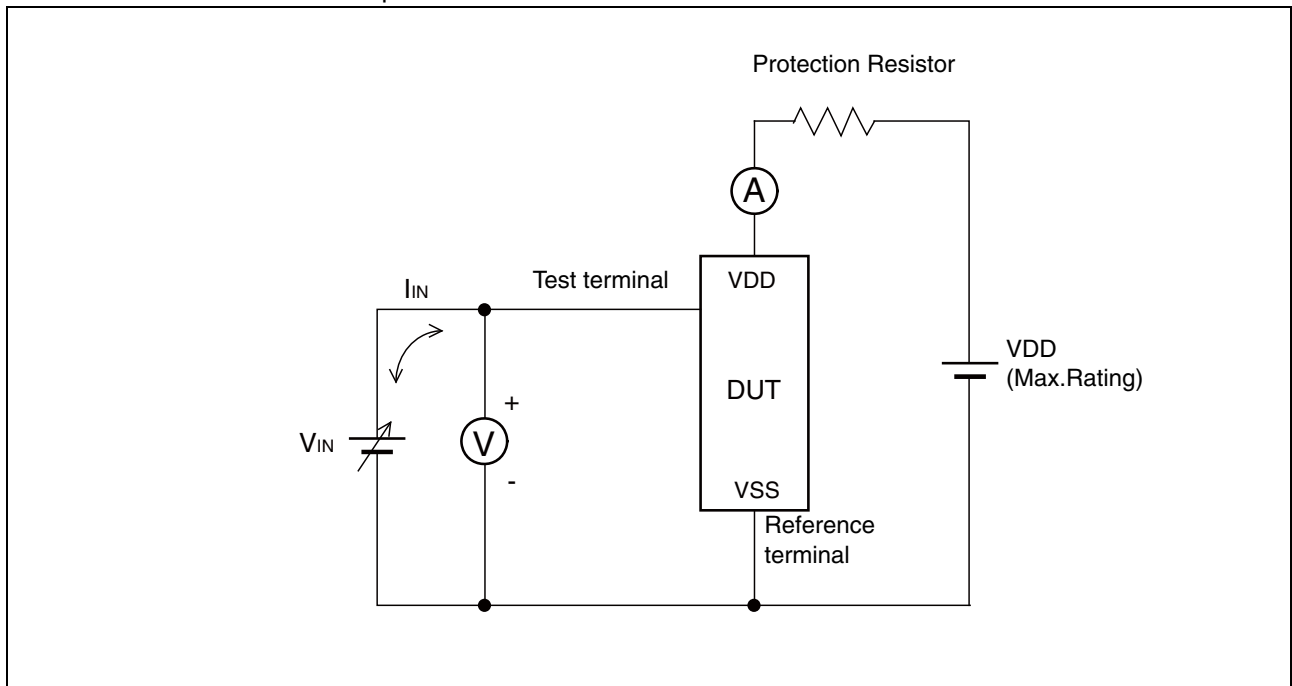
NOTES ON USE

We recommend programming of the device after reflow. Data written before reflow cannot be guaranteed.

■ ESD AND LATCH-UP

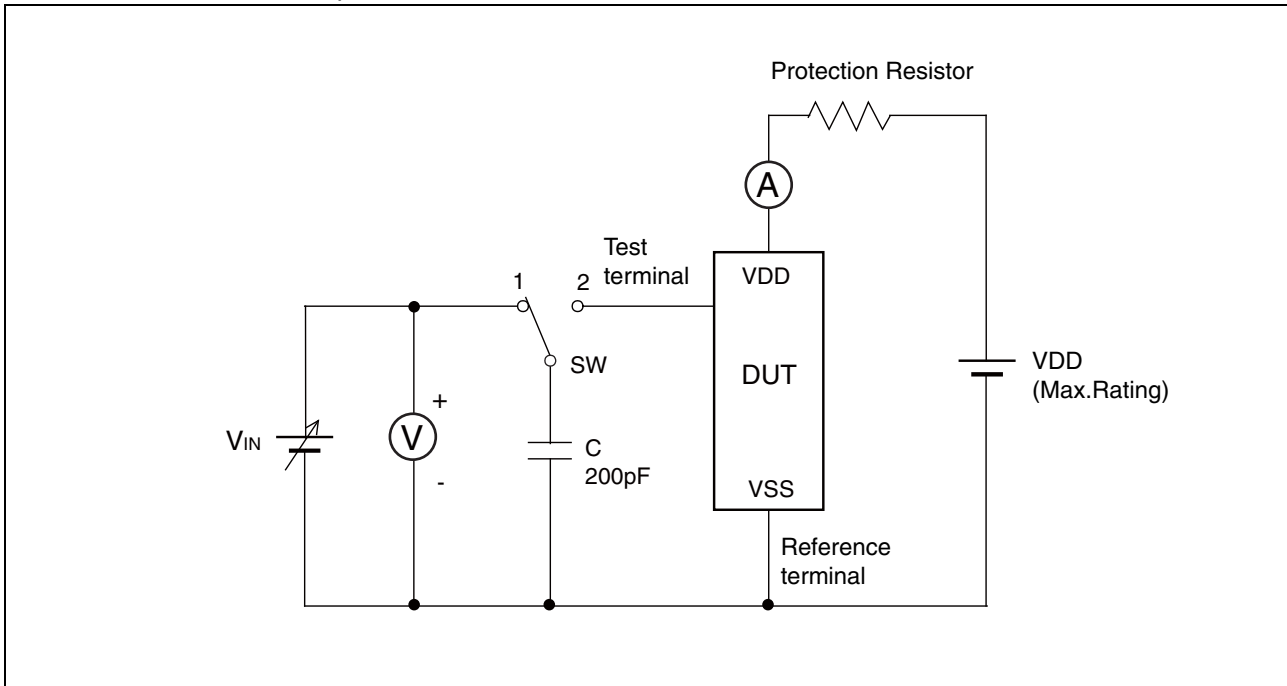
Test	DUT	Value
ESD HBM (Human Body Model) JESD22-A114 compliant	MB85R1001ANC-GE1	$\geq 2000 \text{ V} $
ESD MM (Machine Model) JESD22-A115 compliant		$\geq 200 \text{ V} $
ESD CDM (Charged Device Model) JESD22-C101 compliant		$\geq 1000 \text{ V} $
Latch-Up (I-test) JESD78 compliant		—
Latch-Up (V_{supply} overvoltage test) JESD78 compliant		—
Latch-Up (Current Method) Proprietary method		$\geq 300 \text{ mA} $
Latch-Up (C-V Method) Proprietary method		—

- Current method of Latch-Up Resistance Test



Note : The voltage V_{IN} is increased gradually and the current I_{IN} of 300 mA at maximum shall flow.
 Confirm the latch up does not occur under $I_{IN} = \pm 300 \text{ mA}$.
 In case the specific requirement is specified for I/O and I_{IN} cannot be 300 mA, the voltage shall be increased to the level that meets the specific requirement.

- C-V method of Latch-Up Resistance Test



Note : Charge voltage alternately switching 1 and 2 approximately 2 sec interval. This switching process is considered as one cycle.
Repeat this process 5 times. However, if the latch-up condition occurs before completing 5 times, this test must be stopped immediately.

■ REFLOW CONDITIONS AND FLOOR LIFE

[JEDEC MSL] : Moisture Sensitivity Level 3 (ISP/JEDEC J-STD-020D)

■ CURRENT STATUS ON CONTAINED RESTRICTED SUBSTANCES

This product complies with the regulations of REACH Regulations, EU RoHS Directive and China RoHS.

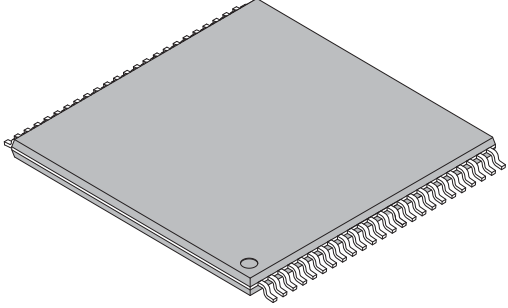
MB85R1001A

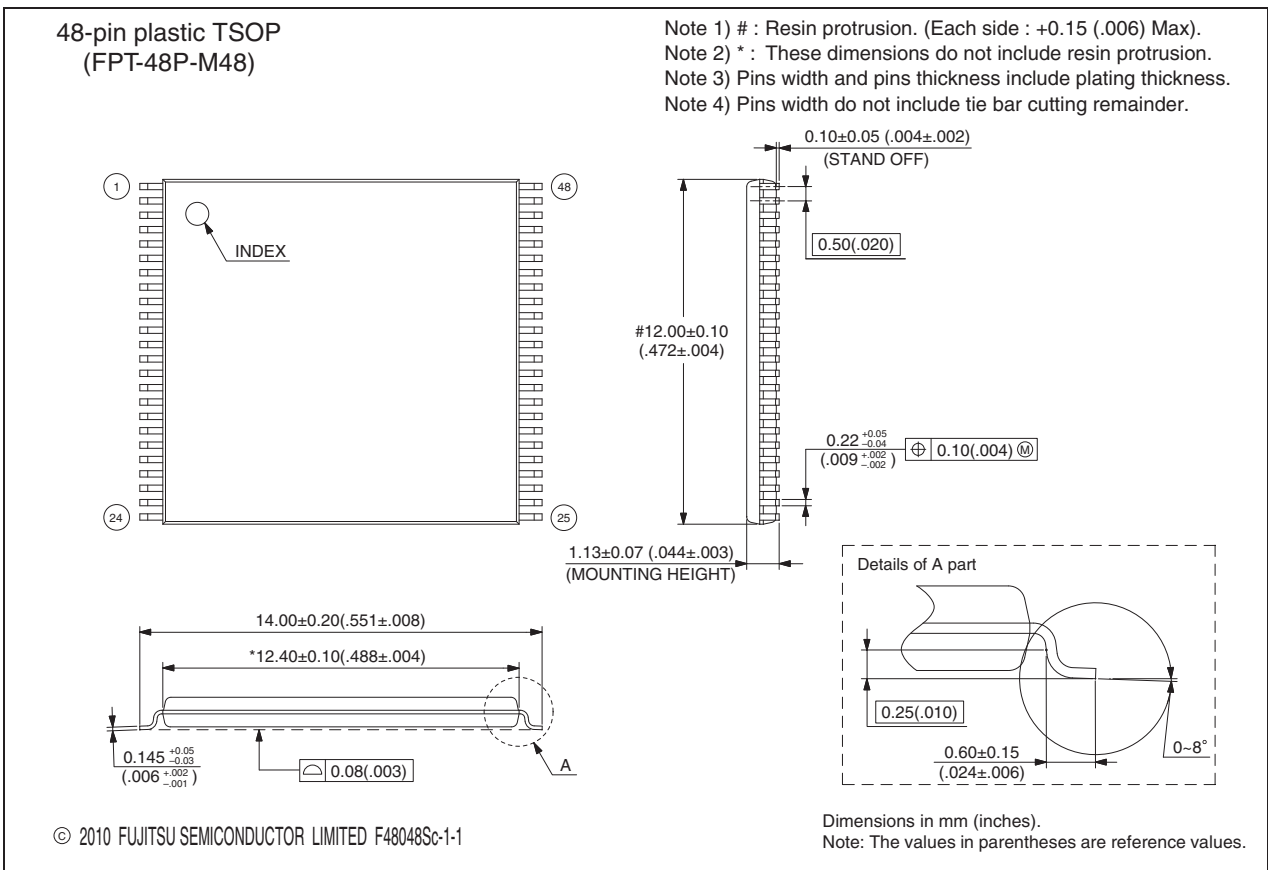
■ ORDERING INFORMATION

Part Number	Package	Shipping form	Minimum shipping quantity
MB85R1001ANC-GE1	48-pin plastic TSOP (FPT-48P-M48)	Tray	—*

*: Please contact our sales office about minimum shipping quantity.

PACKAGE DIMENSIONS

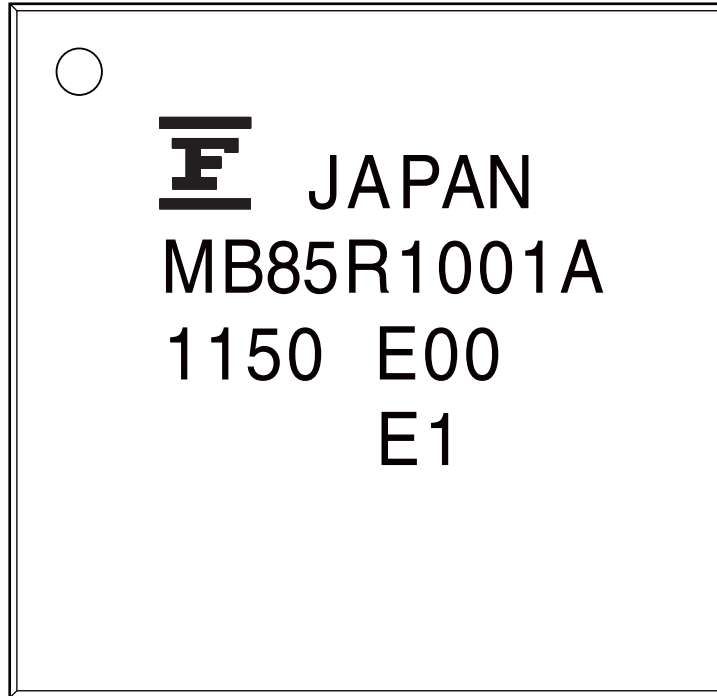
<p style="text-align: center;">48-pin plastic TSOP</p>  <p style="text-align: center;">(FPT-48P-M48)</p>	Lead pitch	0.50 mm
	Package width × package length	12.00 mm × 12.40 mm
	Lead shape	Gullwing
	Sealing method	Plastic mold
	Mounting height	1.20 mm MAX
	Weight	0.36 g



MB85R1001A

■ MARKING

[MB85R1001ANC-GE1]

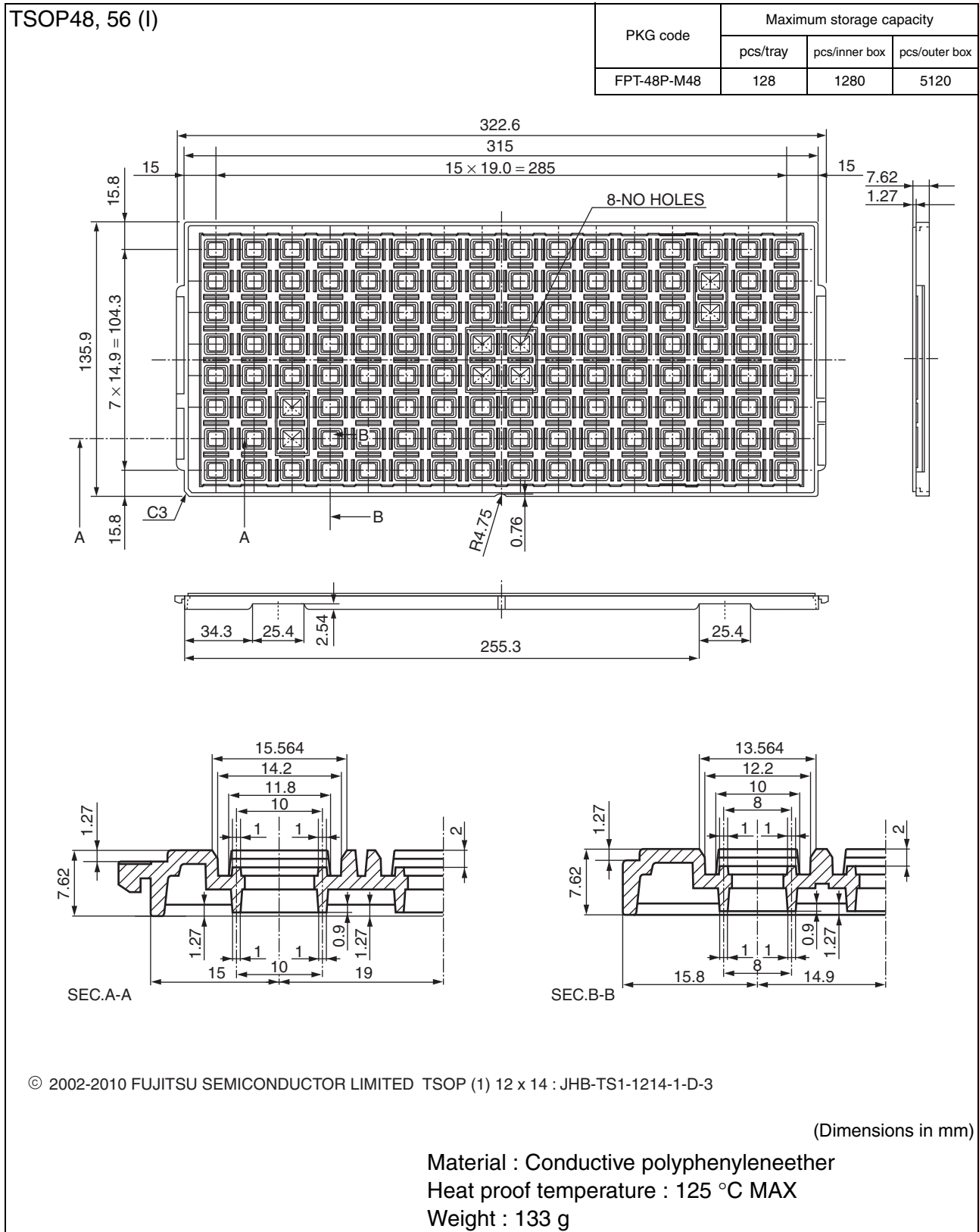


[FPT-48P-M48]

SHIPPING FORM

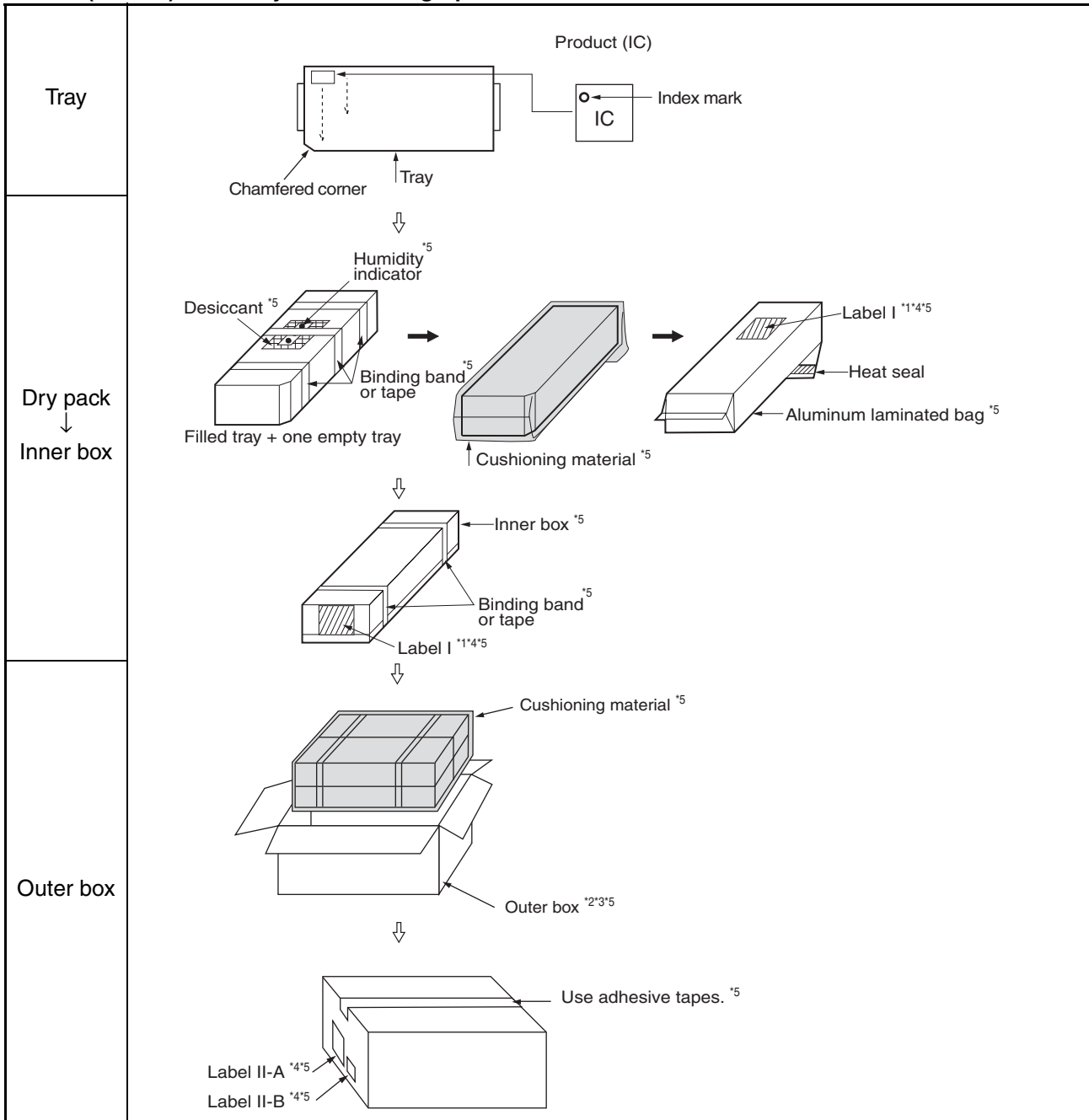
1. Tray

1.1 Tray Dimensions



MB85R1001A

1.2 IEC (JEDEC) TRAY Dry Pack Packing Specifications



*1: For a product of which part number is suffixed with "E1", a "G" (Pb) mark is displayed to the moisture barrier bag and the inner boxes.

*2: The size of the outer box may be changed depending on the quantity of inner boxes.

*3: The space in the outer box will be filled with empty inner boxes, or cushions, etc.

*4: Please refer to an attached sheet about the indication label.

*5: The packing materials except tray may differ slightly from the color and dimensions depending on country of manufacture.

Note: The packing specifications may not be applied when the product is delivered via a distributor.

1.3 Product label indicators

Label I: Label on Inner box/Moisture Barrier Bag/ (It sticks it on the reel for the emboss tapping) [C-3 Label (50mm x 100mm) Supplemental Label (20mm x 100mm)]

XXXXXXXXXXXXXXXXX (Customer part number or FJ part number)		← C-3 Label
(3N)1 XXXXXXXXXXXXXXXX XXX	(LEAD FREE mark)	
XXXXXXXXXXXXXXXXX XXX	(Part number and quantity)	
	QC PASS	
(3N)2 XXXXXXXXXXXXXXXX XXXXXXX	(FJ control number)	
XXX pcs	(Quantity)	
XXXXXXXXXXXXXXXXX XXX	(Customer part number or FJ part number)	
	(Customer part number or FJ part number bar code)	
XXXX/XX/XX (Packed years/month/day)	ASSEMBLED IN xxxx	← Perforated line
XXXXXXXXXXXXXXXXX XXX	(Customer part number or FJ part number)	← Supplemental Label
	(FJ control number bar code)	
XX/XX	XXXX-XXX XXX	
(Package count)	XXXX-XXX XXX	
XXXXXXXXXXXX (FJ control number)	(Lot Number and quantity)	
XXXXXXXXXXXXXXXXX	(Comment)	

Label II-A: Label on Outer box [D Label] (100mm x 100mm)

<table border="1"> <tr> <td>発注者 XXXXXXXXXXXXXXXX (Customer Name) (CUST.)</td> <td>受注者 (VENDOR) 富士通</td> </tr> <tr> <td>受渡場所名 XXXXXXXXXXXXXXXX (Delivery Address) (DELIVERY POINT)</td> <td>セミコンダクター株式会社</td> </tr> <tr> <td>納品キー番号 XXXXXXXXXXXXXXXX (TRANS.NO.) (FJ control number)</td> <td>XXX (FJ control number)</td> </tr> <tr> <td>品名コード XXXXXXXXXXXXXXXX (PART NO.) (Customer part number or FJ part number)</td> <td>XXX (FJ control number)</td> </tr> <tr> <td></td> <td>XXXXXXXXXXXXXXXXX (Part number)</td> </tr> </table>		発注者 XXXXXXXXXXXXXXXX (Customer Name) (CUST.)	受注者 (VENDOR) 富士通	受渡場所名 XXXXXXXXXXXXXXXX (Delivery Address) (DELIVERY POINT)	セミコンダクター株式会社	納品キー番号 XXXXXXXXXXXXXXXX (TRANS.NO.) (FJ control number)	XXX (FJ control number)	品名コード XXXXXXXXXXXXXXXX (PART NO.) (Customer part number or FJ part number)	XXX (FJ control number)		XXXXXXXXXXXXXXXXX (Part number)	← D Label
発注者 XXXXXXXXXXXXXXXX (Customer Name) (CUST.)	受注者 (VENDOR) 富士通											
受渡場所名 XXXXXXXXXXXXXXXX (Delivery Address) (DELIVERY POINT)	セミコンダクター株式会社											
納品キー番号 XXXXXXXXXXXXXXXX (TRANS.NO.) (FJ control number)	XXX (FJ control number)											
品名コード XXXXXXXXXXXXXXXX (PART NO.) (Customer part number or FJ part number)	XXX (FJ control number)											
	XXXXXXXXXXXXXXXXX (Part number)											
品名 (PART NAME) XXXXXXXXXXXXXXXX (Part number)												
人数/納入数量 XXX/XXX	単位 XX											
(Q'TY/TOTAL Q'TY)	(UNIT)											
発注者用備考 (CUSTOMER'S REMARKS) XXXXXXXXXXXXXXXXXXXX	梱包個数 (PACKAGE COUNT) XXX/XXX											
(3N)3 XXXXXXXXXXXXXXXX XXX	(FJ control number + Product quantity)											
	(FJ control number + Product quantity bar code)											
(3N)4 XXXXXXXXXXXXXXXX XXX	(Part number + Product quantity)											
	(Part number + Product quantity bar code)											
(3N)5 XXXXXXXXXXXXXXXX	(FJ control number)											
	(FJ control number bar code)											

Label II-B: Outer boxes product indicate

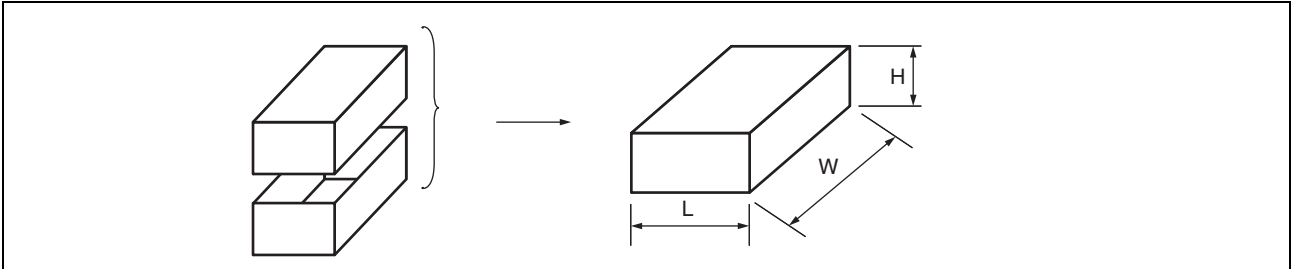
XXXXXXXXXXXXXXXXX (Part number)		
(Lot Number)	(Count)	(Quantity)
XXXX-XXX	X 箱	XXX 個
XXXX-XXX	X 箱	XXX 個
	計	XXX 個

Note: Depending on shipment state, "Label II-A" and "Label II-B" on the external boxes might not be printed.

MB85R1001A

1.4 Dimensions for Containers

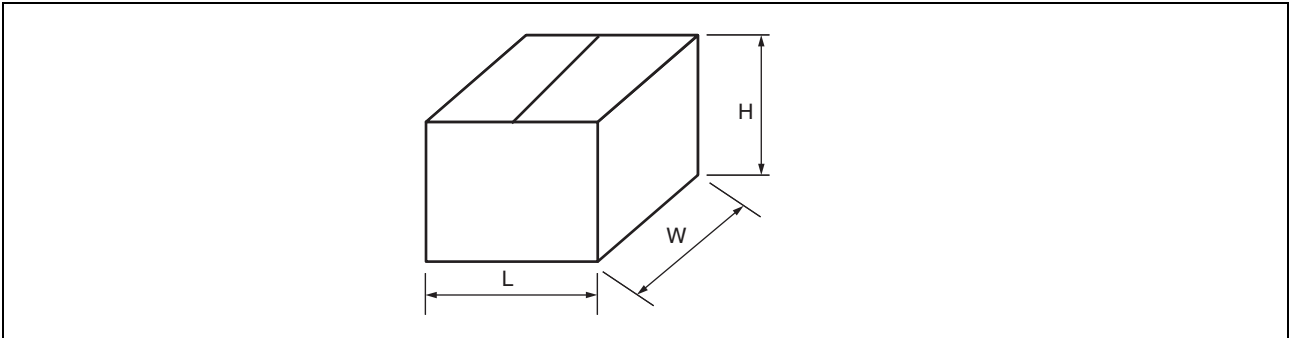
(1) Dimensions for inner box



L	W	H
165	360	75

(Dimensions in mm)

(2) Dimensions for outer box



L	W	H
355	385	195

(Dimensions in mm)

■ MAJOR CHANGES IN THIS EDITION

A change on a page is indicated by a vertical line drawn on the left side of that page.

Page	Section	Change Results
1	■ DESCRIPTIONS	Deleted the “that is compatible with conventional asynchronous SRAM”.
4	■ RECOMMENDED OPERATING CONDITIONS	Added note on the Operation Ambient Temperature. Moved the “High Level Input Voltage” and “Low Level Input Voltage” to DC Characteristics.
5	1. DC Characteristics	Moved the “High Level Input Voltage” and “Low Level Input Voltage” from RECOMMENDED OPERATING CONDITIONS.
13	■ CURRENT STATUS ON CONTAINED RESTRICTED SUBSTANCES	Deleted the URL info.
15	■ PACKAGE DIMENSION	Deleted the URL info.

MEMO

MEMO

FUJITSU SEMICONDUCTOR LIMITED

Shin-Yokohama Chuo Building, 2-100-45 Shin-Yokohama,
Kohoku-ku, Yokohama, Kanagawa 222-0033, Japan
<http://jp.fujitsu.com/fsl/en/>

All Rights Reserved.

FUJITSU SEMICONDUCTOR LIMITED, its subsidiaries and affiliates (collectively, "FUJITSU SEMICONDUCTOR") reserves the right to make changes to the information contained in this document without notice. Please contact your FUJITSU SEMICONDUCTOR sales representatives before order of FUJITSU SEMICONDUCTOR device.

Information contained in this document, such as descriptions of function and application circuit examples is presented solely for reference to examples of operations and uses of FUJITSU SEMICONDUCTOR device. FUJITSU SEMICONDUCTOR disclaims any and all warranties of any kind, whether express or implied, related to such information, including, without limitation, quality, accuracy, performance, proper operation of the device or non-infringement. If you develop equipment or product incorporating the FUJITSU SEMICONDUCTOR device based on such information, you must assume any responsibility or liability arising out of or in connection with such information or any use thereof. FUJITSU SEMICONDUCTOR assumes no responsibility or liability for any damages whatsoever arising out of or in connection with such information or any use thereof.

Nothing contained in this document shall be construed as granting or conferring any right under any patents, copyrights, or any other intellectual property rights of FUJITSU SEMICONDUCTOR or any third party by license or otherwise, express or implied.

FUJITSU SEMICONDUCTOR assumes no responsibility or liability for any infringement of any intellectual property rights or other rights of third parties resulting from or in connection with the information contained herein or use thereof.

The products described in this document are designed, developed and manufactured as contemplated for general use including without limitation, ordinary industrial use, general office use, personal use, and household use, but are not designed, developed and manufactured as contemplated (1) for use accompanying fatal risks or dangers that, unless extremely high levels of safety is secured, could lead directly to death, personal injury, severe physical damage or other loss (including, without limitation, use in nuclear facility, aircraft flight control system, air traffic control system, mass transport control system, medical life support system and military application), or (2) for use requiring extremely high level of reliability (including, without limitation, submersible repeater and artificial satellite). FUJITSU SEMICONDUCTOR shall not be liable for you and/or any third party for any claims or damages arising out of or in connection with above-mentioned uses of the products.

Any semiconductor devices fail or malfunction with some probability. You are responsible for providing adequate designs and safeguards against injury, damage or loss from such failures or malfunctions, by incorporating safety design measures into your facility, equipments and products such as redundancy, fire protection, and prevention of overcurrent levels and other abnormal operating conditions.

The products and technical information described in this document are subject to the Foreign Exchange and Foreign Trade Control Law of Japan, and may be subject to export or import laws or regulations in U.S. or other countries. You are responsible for ensuring compliance with such laws and regulations relating to export or re-export of the products and technical information described herein. All company names, brand names and trademarks herein are property of their respective owners.