

PRODUCT NO.	ITEM	PART NAME	Q'TY	MATERIAL	PLATING
119A-92A00-R02	1	BODY	1	LCP	
	2	CONTACT	52	PHOSPHOR BRONZE	GOLD 1u"
	3	HOLD DOWN	2	BRASS	TIN 100u"

Material
 Plastic Body : LCP, Color Black.
 Contact : Phosphor Bronze Alloy (C5191R-H)
 Contacts Plating: Contact area: Gold Plated
 Solder area: Tin

Hold Down : Brass(C2680R-H)
 Hold Down Plating: Tin

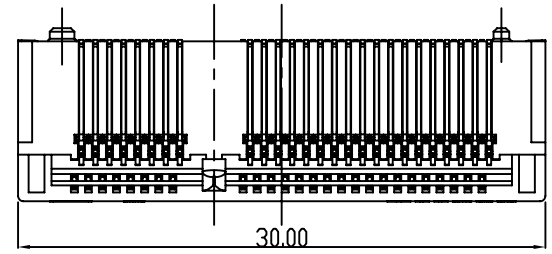
Electrical:
 Rating Current: 0.5A(Max.)/(1PIN)
 Rating Voltage: 50V AC
 Contact Resistance: 30 mΩ (Max)
 Insulation Resistance: 500 MΩ (Min.)

Mechanical:
 Contact Normal Force: 50 gf per pin (Min.)
 Durability: 100 mating and unmating cycles

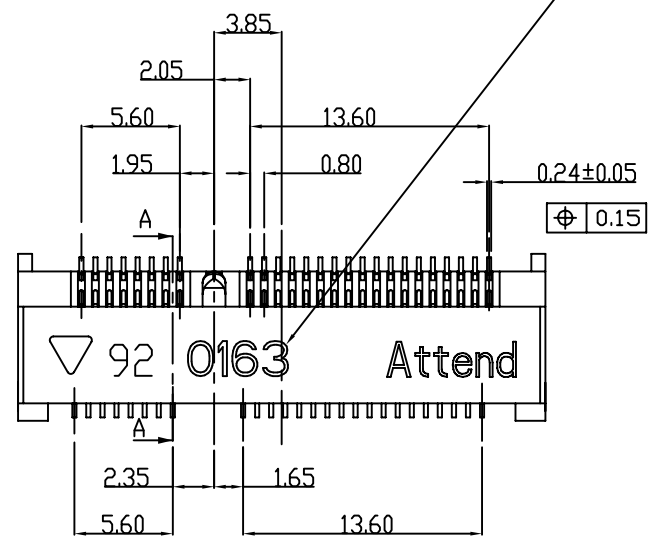
Environmental:
 Operating Temperature: -40°C to +90°C
 Storage Temperature: -40°C to +90°C
 Solder ability: 260±5°C

PRODUCT NUMBER:
 119A-92 A 0 0-R02
 1 2 3 4

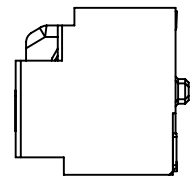
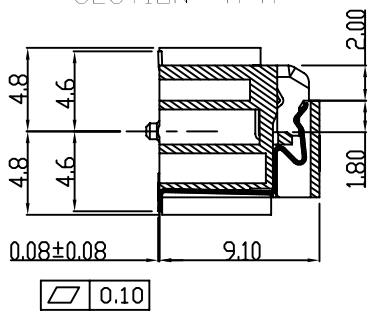
- 1.Stand off
92: 9.2mm
- 2.Contact plating
A:gold flash
- 3.Color
0:black
- 4.RoHS



DATE CODE: 0163 (YVWD)
 Y: 0 YEAR(2010)
 WW:16 WEEK(01~52)
 D: 3 DAY(01~07)

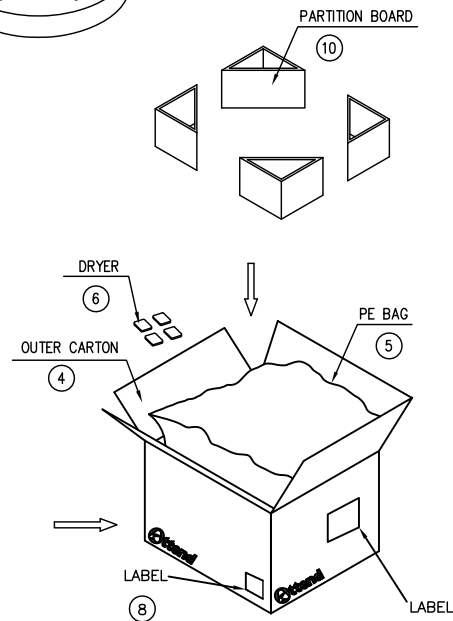
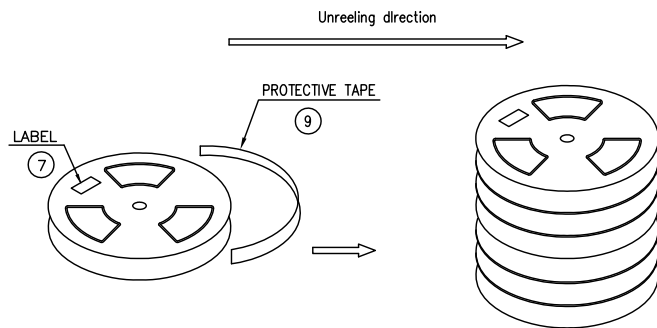
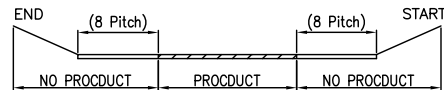
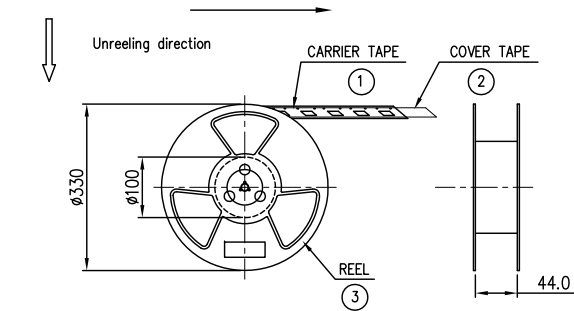
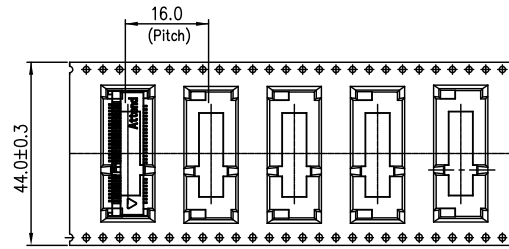


SECTION A-A



REV.	DESCRIPTION	DATE	REV.	DESCRIPTION	DATE	SIZE	REV.	FILE NAME
1			2			A4	1.0	119A-92A00-R02_B_3
3			4					
1	Revise:							
2	Revise:							
3	Revise: Date Code	2010/04/30						

UNLESS OTHERWISE SPECIFIED TOLERANCE			ATTEND	
ANGLES	ANG.	±5°	 www.attend.com.tw	
LINEAR	0.	±0.3		
	0.00	±0.20		
SCALE	AS SHOWN	UNIT: mm	DRAWN NAME: Mini PCI Express Socket H:9.2mm	
DRAWN	Willis	2012/08/03	PRODUCT NO.	119A-92A00-R02
CHECKED	Angel	2012/08/03	FILE NAME	119A-92A00-R02_B_3
APPROVED	Ken	2012/08/03		



NOTES:
1. PACKING STYLE:

119A-40A00-R02
700 PCS/REEL
4200 PCS/OUTER CARTON

119A-56A00-R02
550 PCS/REEL
3300 PCS/OUTER CARTON

119A-80A00-R02
400 PCS/REEL
2400 PCS/OUTER CARTON

① ②
119A-92A00-R02
300 PCS/REEL
1800 PCS/OUTER CARTON

2. MATERIAL CARRIER TAPE: PS BLACK
COVER TAPE: PET FILM
REEL: PLASTIC

3. PEEL STRENGTH OF COVER TAPE: 20-80g (PEEL SPEED 300mm/MINUTE).

10	PARTITION BOARD	4	PCS		
9	PROTECTIVE TAPE	3	PCS		
8	LABEL	1	PCS		
7	LABEL	6	PCS		
6	DRYER	4	BAG		
5	PE BAG	1	PCS	L850*W750mm	
4	OUTER CARTON	1	PCS		
3	REEL	6	SET	φ330*100mm, W=44mm	
2	COVER TAPE	SEE NOTES	6	PCS	W=37.5mm
1	CARRIER TAPE			PCS/R/R/BOX	W=44mm, T=0.35mm
NO	PACKING NAME			UNIT	NOTE

UNLESS OTHERWISE SPECIFIED TOLERANCE

ANGLES	ANG.	±5°
LINEAR	0.	±0.3
	0.0	±0.25
	0.00	±0.20
SCALE	AS SHOWN	UNIT: mm
DRAWN	Willis	2012/08/03
CHECKED	Angel	2012/08/03
APPROVED	Ken	2012/08/03



www.attend.com.tw

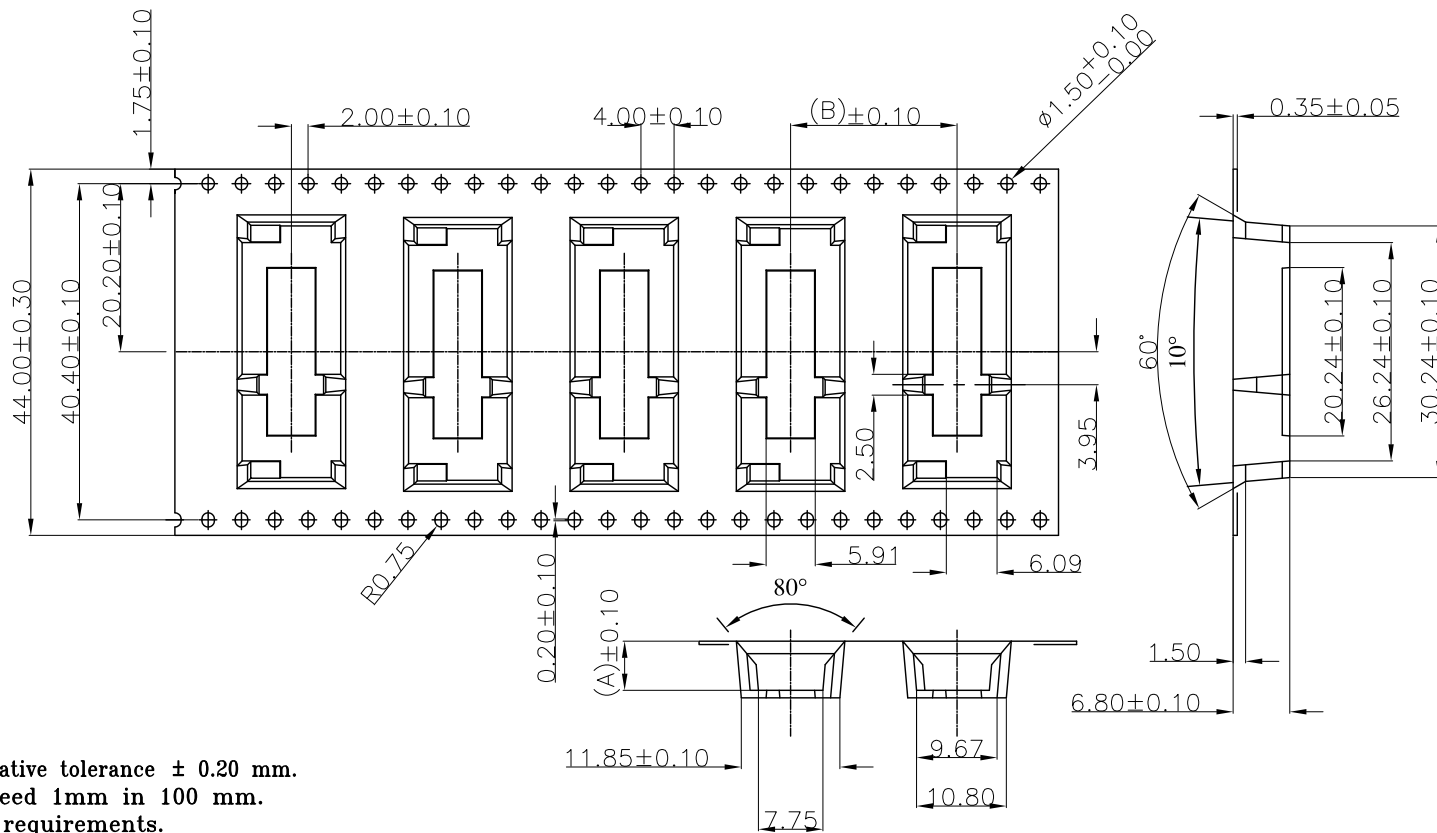
DRAWN NAME:
Mini PCI Express Socket

PRODUCT NO. 119A-XXA00-R02

REV.	DESCRIPTION	DATE	REV.	DESCRIPTION	DATE
③	Revise:				
②	Revise: NOTE 9.2H 300PCS/REEL	2010/04/30			
①	Revise: NOTE 9.2H 350PCS/REEL	2010/01/21			

SIZE A4 REV. 1.0

FILE NAME 119A-XXA00-R02_D_4



NOTES:

1. 10 sprocket hole pitch cumulative tolerance ± 0.20 mm.
2. Carrier camber not to exceed 1mm in 100 mm.
3. All scope meet EIA-481-C requirements.
4. Material: Black Anti-static Polystyrene.
5. Thickness: 0.35 ± 0.05 mm.

DIM.	119A-40A00-R02	119A-52A00-R02	119A-56A00-R02	119A-80A00-R02	119A-92A00-R02
A	4.30	5.50	5.90	8.30	9.50
B	16.00	16.00	16.00	16.00	20.00

UNLESS OTHERWISE SPECIFIED TOLERANCE		
ANGLES	ANG.	$\pm 5^\circ$
LINEAR	0.	± 0.3
	0.0	± 0.25
	0.00	± 0.20
SCALE	AS SHOWN	UNIT: mm
DRAWN	Willis	2012/08/03
CHECKED	Angel	2012/08/03
APPROVED	Ken	2012/08/03

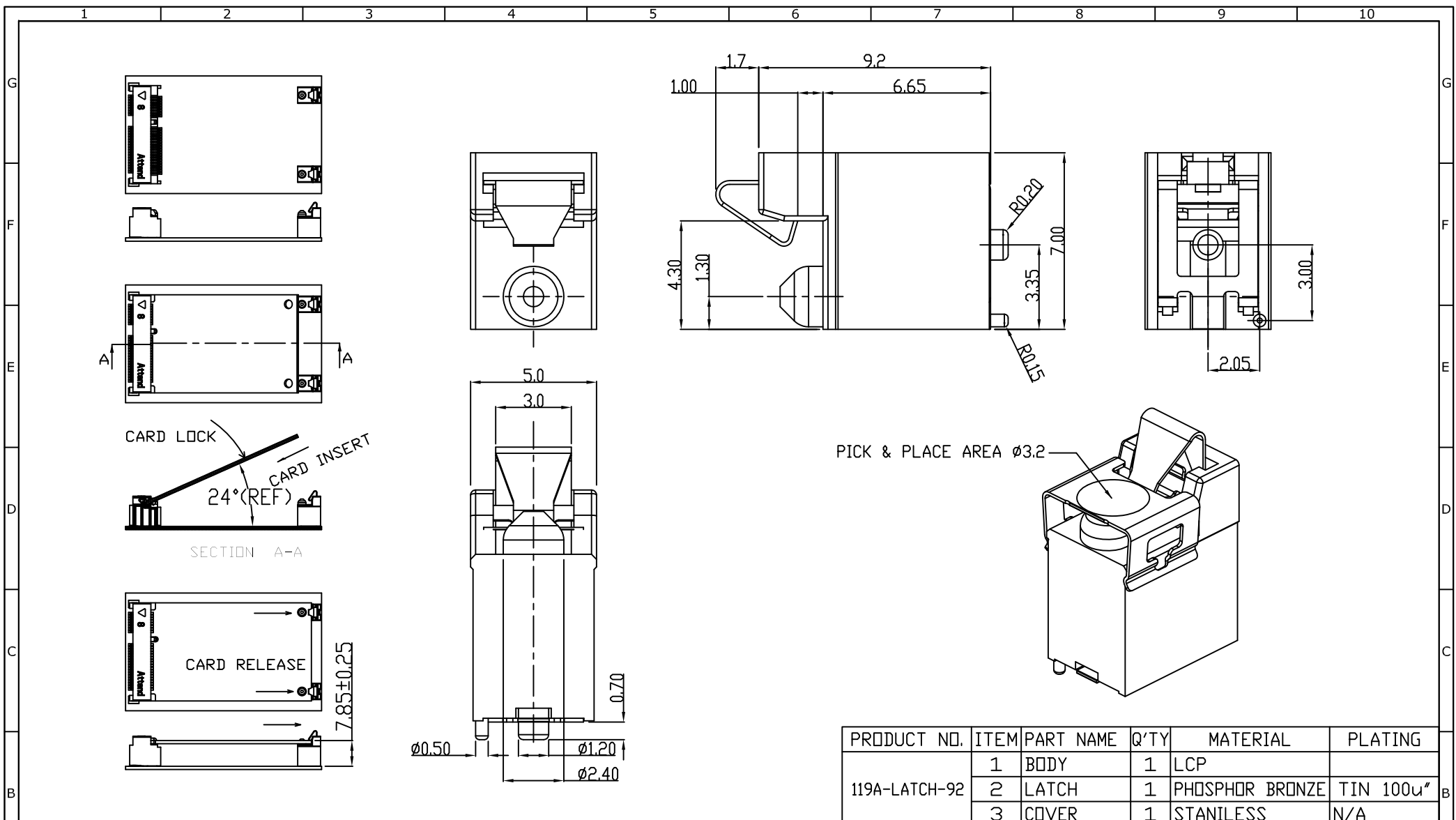


www.attend.com.tw

Revise:				
Revise: NOTE 9.2H 300PCS/REEL		2010/04/30		
Revise: NOTE 9.2H 350PCS/REEL		2010/01/21		

DRAWN NAME:		Mini PCI Express Socket	
PRODUCT NO.	119A-XXA00-R02		

REV.	DESCRIPTION	DATE	REV.	DESCRIPTION	DATE	SIZE	REV.	FILE NAME
1			4			A4	1.0	119A-XXA00-R02_D_4



CARD LOCK
 24°(REF)
 CARD INSERT
 SECTION A-A

CARD RELEASE
 7.85±0.25

PICK & PLACE AREA Ø3.2

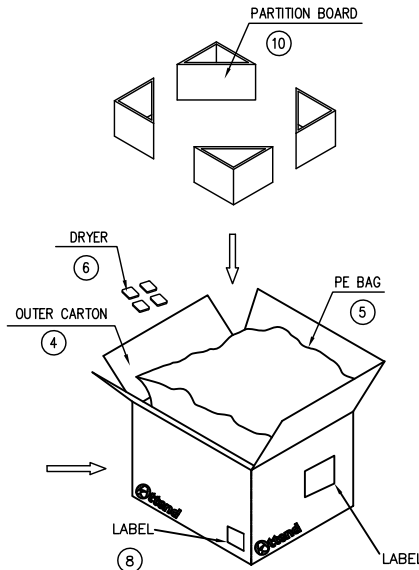
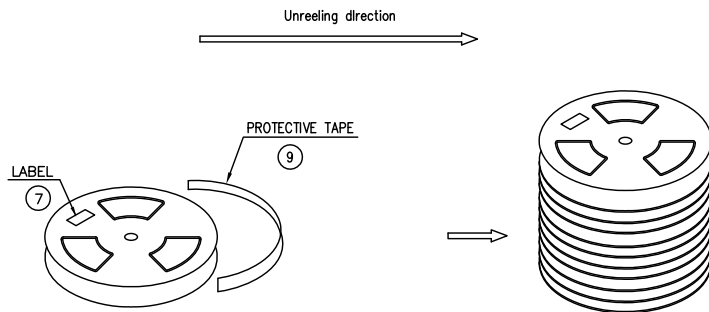
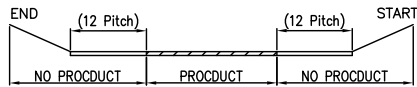
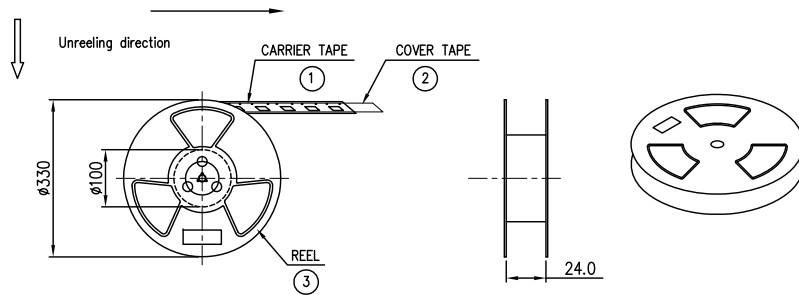
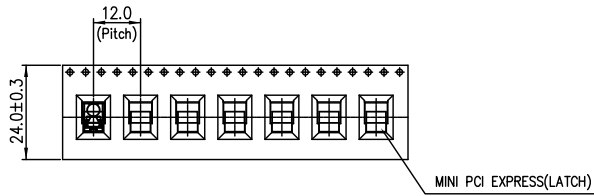
PRODUCT NO.	ITEM	PART NAME	Q'TY	MATERIAL	PLATING
119A-LATCH-92	1	BODY	1	LCP	
	2	LATCH	1	PHOSPHOR BRONZE	TIN 100u"
	3	COVER	1	STAINLESS	N/A

UNLESS OTHERWISE SPECIFIED TOLERANCE		
ANGLES	ANG.	±5°
LINEAR	0.	±0.3
	0.0	±0.25
	0.00	±0.20
SCALE	AS SHOWN	UNIT: mm
DRAWN	Willis	2012/08/03
CHECKED	Angel	2012/08/03
APPROVED	Ken	2012/08/03



ATTEND
www.attend.com.tw

REV.	DESCRIPTION	DATE	REV.	DESCRIPTION	DATE	SIZE	REV.	FILE NAME
1			4			A4	1.0	119A-LATCH-92_B_2



NOTES:

- PACKING STYLE
 - 119A-LATCH-40 (4.0H) 700 PCS/REEL 7000 PCS/OUTER CARTON
 - 119A-LATCH-56 (5.6H) 550 PCS/REEL 5500 PCS/OUTER CARTON
 - 119A-LATCH-80 (8.0H) 400 PCS/REEL 4000 PCS/OUTER CARTON
 - 119A-LATCH-92 (9.2H) 300 PCS/REEL 3000 PCS/OUTER CARTON
- MATERIAL CARRIER TAPE: PS BLACK
COVER TAPE: PET FILM
REEL: PLASTIC
- PEEL STRENGTH OF COVER TAPE: 20-80g (PEEL SPEED 300mm/MINUTE).

10	PARTITION BOARD	4	PCS		
9	PROTECTIVE TAPE	3	PCS		
8	LABEL	1	PCS		
7	LABEL	6	PCS		
6	DRYER	4	BAG		
5	PE BAG	1	PCS	L850*W750mm	
4	OUTER CARTON	1	PCS		
3	REEL	10	SET	ø330*100mm,W=44mm	
2	COVER TAPE	SEE NOTES	10	PCS	W=21.5mm
1	CARRIER TAPE				W=24mm,T=0.5mm
NO	PACKING NAME	PCS/R/R/BOX	UNIT	NOTE	

UNLESS OTHERWISE SPECIFIED TOLERANCE		
ANGLES	ANG.	±5°
LINEAR	0.	±0.3
	0.0	±0.25
	0.00	±0.20
SCALE	AS SHOWN	UNIT: mm
DRAWN	Willis	2012/08/03
CHECKED	Angel	2012/08/03
APPROVED	Ken	2012/08/03



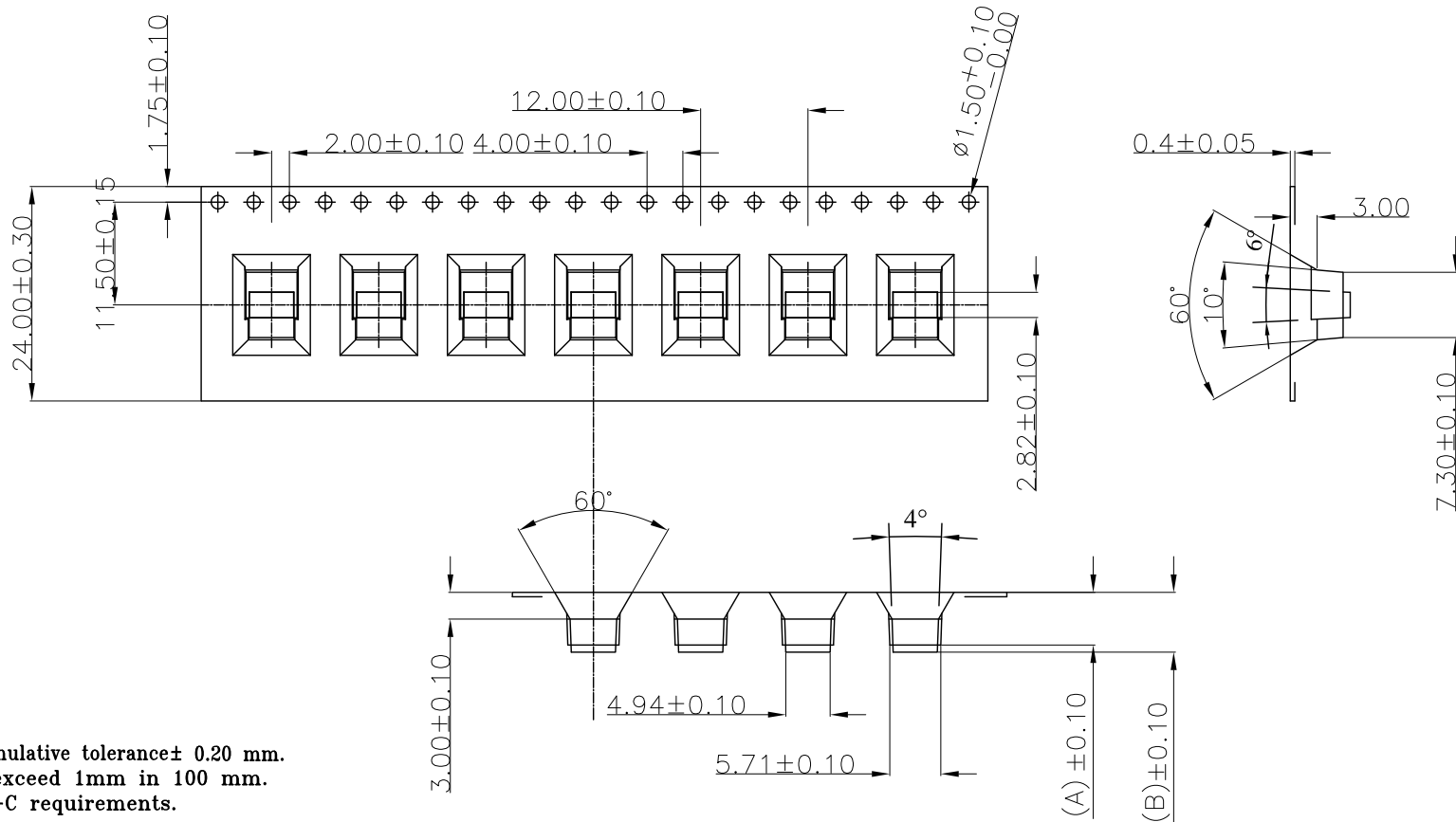
www.attend.com.tw

DRAWN NAME: Mini PCI Express Latch

PRODUCT NO. 119A-LATCH-XX

FILE NAME 119A-LATCH-XX_D_2

REV.	DESCRIPTION	DATE	REV.	DESCRIPTION	DATE
3	Revise:				
2	Revise:				
1	Revise:				



NOTES:

1. 10 sprocket hole pitch cumulative tolerance ± 0.20 mm.
2. Carrier camber not to exceed 1mm in 100 mm.
3. All scope meet EIA-481-C requirements.
4. Material: Black Anti-static Polystyrene.
5. Thickness: 0.40 ± 0.05 mm.

DIM.	119A-LATCH-40	119A-LATCH-52	119A-LATCH-56	119A-LATCH-80	119A-LATCH-92
A	5.90	7.10	7.50	9.90	11.10
B	6.70	7.90	8.30	10.70	11.90

UNLESS OTHERWISE SPECIFIED TOLERANCE		
ANGLES	ANG.	$\pm 5^\circ$
LINEAR	0.	± 0.3
	0.0	± 0.25
	0.00	± 0.20
SCALE	AS SHOWN	UNIT: mm
DRAWN	Willis	2012/08/03
CHECKED	Angel	2012/08/03
APPROVED	Ken	2012/08/03



www.attend.com.tw

DRAWN NAME:
Mini PCI Express Latch

PRODUCT NO. 119A-LATCH-XX

REV.	DESCRIPTION	DATE	REV.	DESCRIPTION	DATE
1			4		
2			5		
3			6		

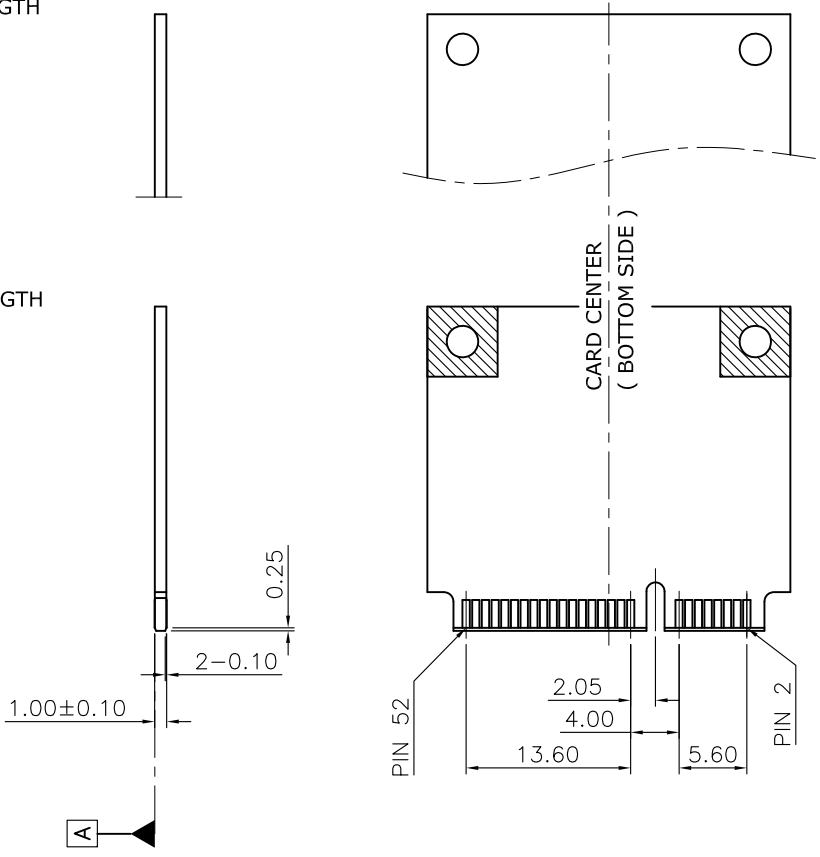
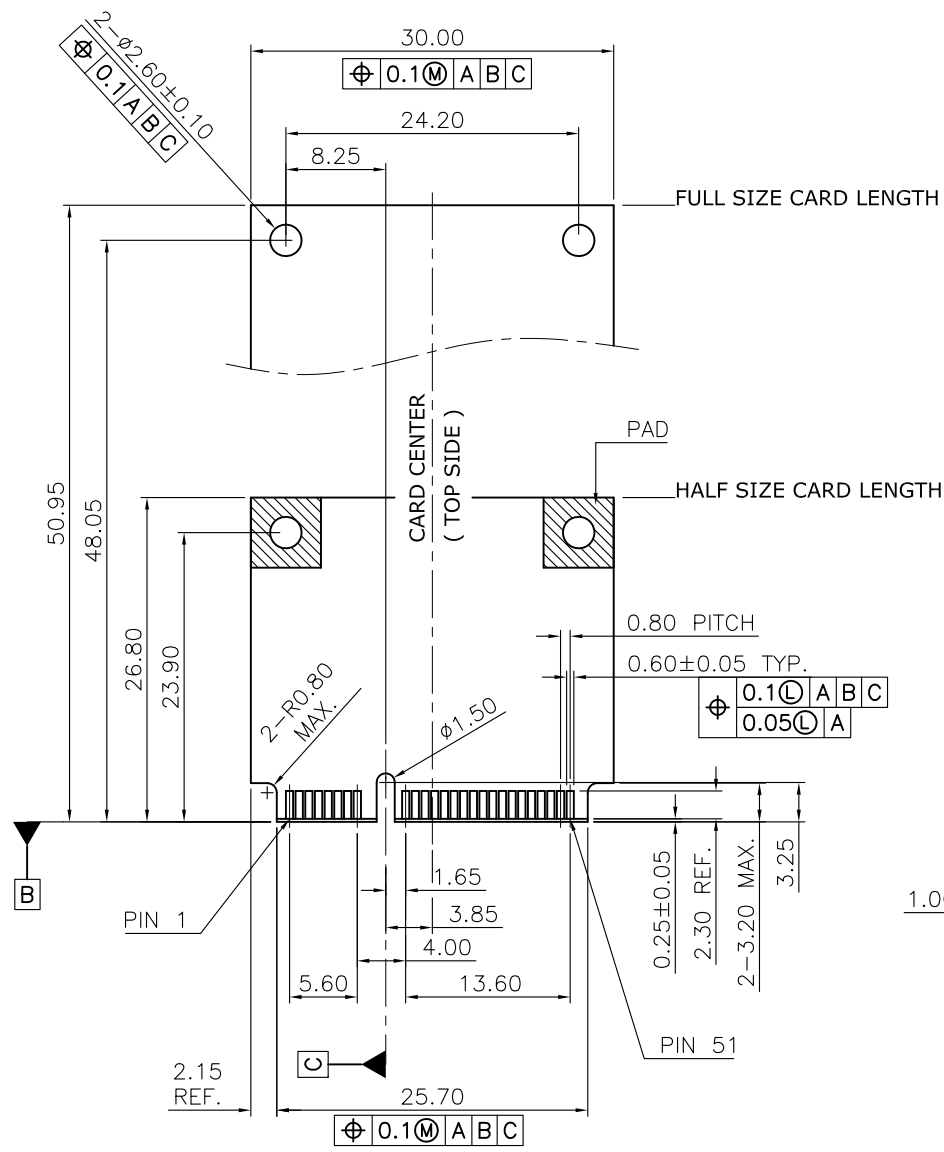



SIZE A4

REV. 1.0

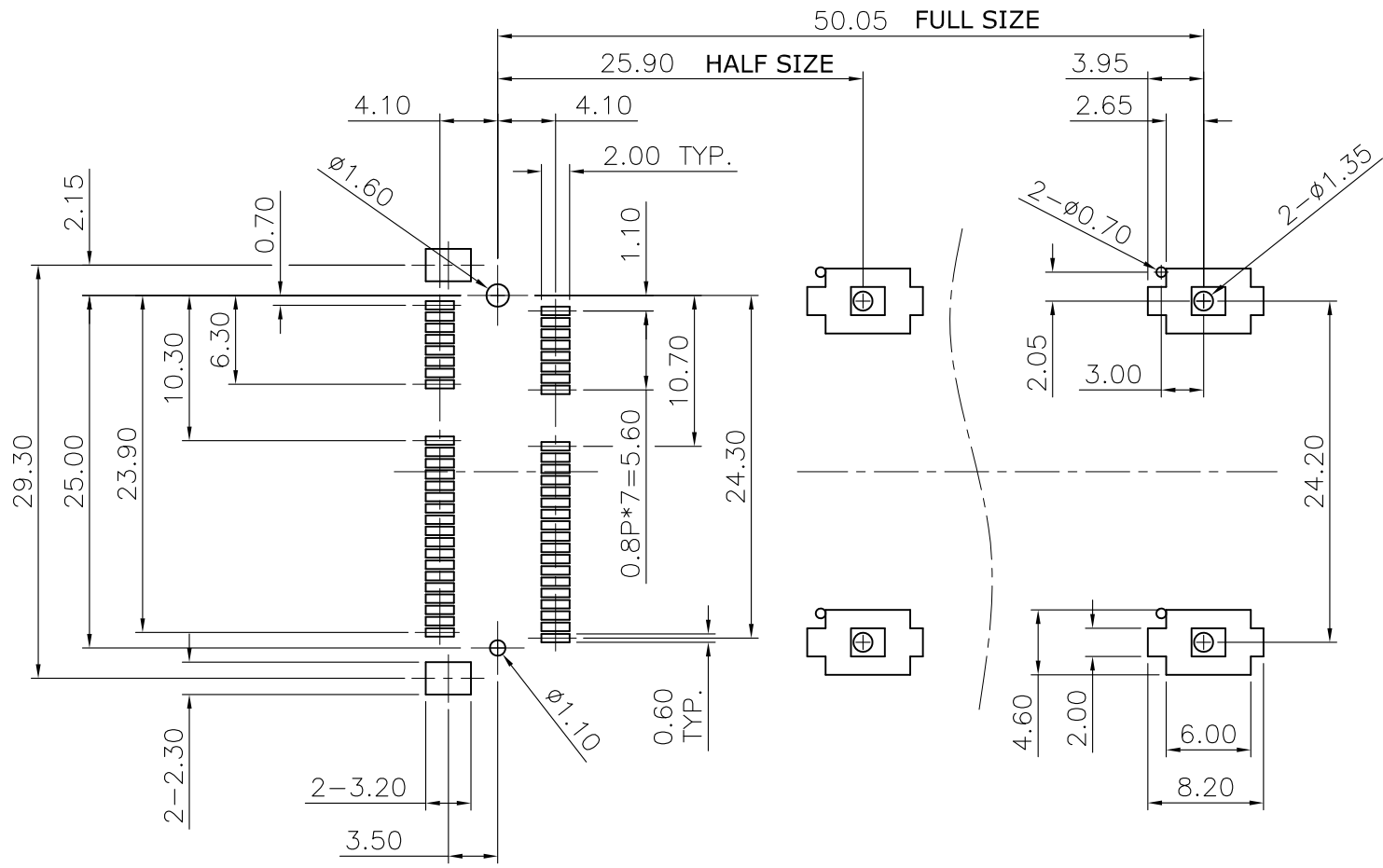
FILE NAME 119A-LATCH-XX_D_2

REV.	DESCRIPTION	DRAWN	DATE
1	Initial Release	FROS	2014/12/03




UNLESS OTHERWISE SPECIFIED TOLERANCE					
UNIT:	DECIMAL	LINEAR	ANGLES		
mm	X.	±0.50	±5°	WWW.ATTEND.COM.TW	
	X.X	±0.25	±3°		
	X.XX	±0.12	±1°		
DRAWN	Fros	2014/12/03	DRAWN NAME:		
CHECKED	Ron	2014/12/03	PHYSICAL DIMENSIONS OF		
APPROVED	Albert	2014/12/03	PCI EXPRESS MINI CARD		
SCALE	1.6/1	SHEET	1/1	SIZE	A4
				PRODUCT NO.	
				FILE NAME	119A-CARD_1

REV.	DESCRIPTION	DRAWN	DATE
1	Initial Release	FROS	2014/12/15



GENERAL TOLERANCE: $\pm 0.05\text{mm}$

UNLESS OTHERWISE SPECIFIED TOLERANCE					
UNIT:	DECIMAL	LINEAR	ANGLES		
mm	X.	± 0.50	$\pm 5^\circ$	WWW.ATTEND.COM.TW	
	X.X	± 0.25	$\pm 3^\circ$		
	X.XX	± 0.12	$\pm 1^\circ$		
DRAWN	Fros	2014/12/15	DRAWN NAME:		
CHECKED	Ron	2014/12/15	Recommend PCB Layout		
APPROVED	Albert	2014/12/15	119A-XXA00-RXX + 119A-LATCH-XX		
SCALE	1/1	SHEET	1/1	SIZE	A4
PRODUCT NO.	119A-XXA00-RXX + 119A-LATCH-XX_1				
FILE NAME	119A-XXA00-RXX + 119A-LATCH-XX_1				