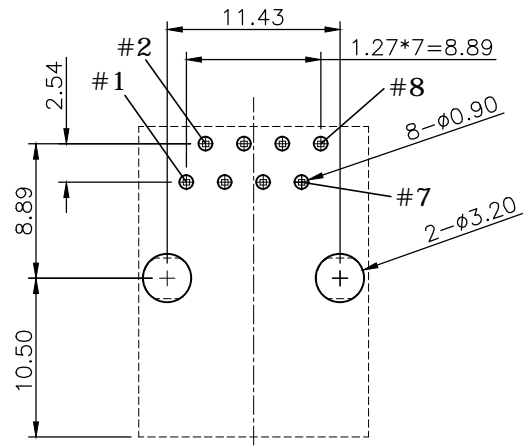
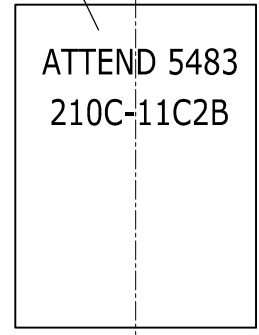


REV.	DESCRIPTION	DRAWN	DATE
1	INITIAL RELEASE	FROS	2015/12/07

MARKING:
 ATTEND: Logo
 5483: Date Code (YWWD)
 210C-11C2B: Part Number

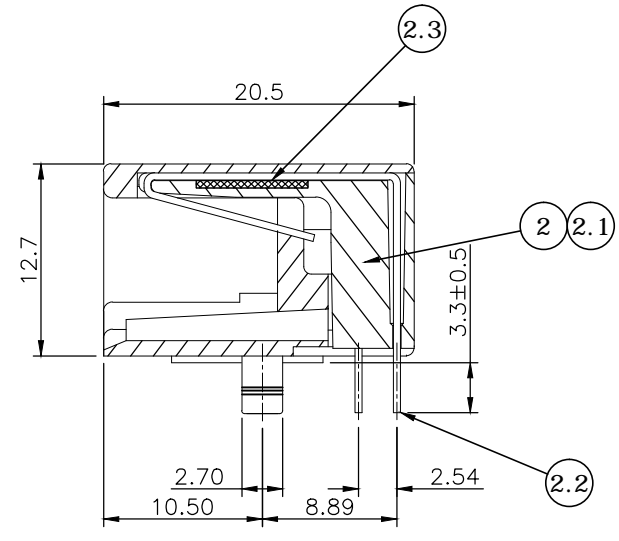
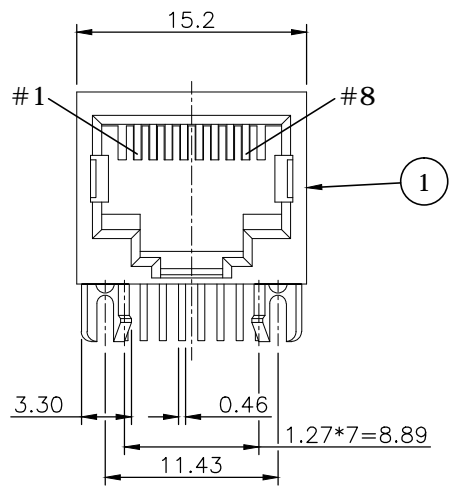
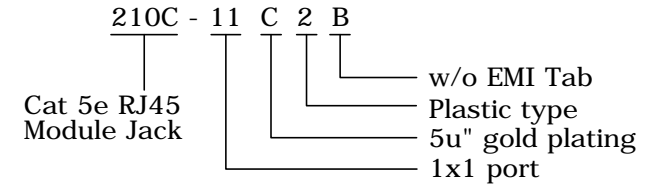


CONNECTOR
 RECOMMENDED LAYOUT (TOP VIEW)
 GENERAL TOLERANCE: ±0.1mm

SPECIFICATION:

1. ELECTRICAL
 - 1.1 Current Rating: 1.5A
 - 1.2 Voltage Rating: 125VAC
 - 1.3 Contact Resistance: 60mΩ
 - 1.4 Insulation Resistance: 1,000MΩ
 - 1.5 Dielectric Withstanding Voltage: 1,000VAC
2. MECHANICAL
 - 2.1 Durability: 750 Cycle
3. ENVIRONMENTAL
 - 3.1 Operating temperature range: -40°C~+85°C
 - 3.2 Storage temperature range: -40°C~+85°C

Mates with modular plug conforming to FCC part 68, subpart F.

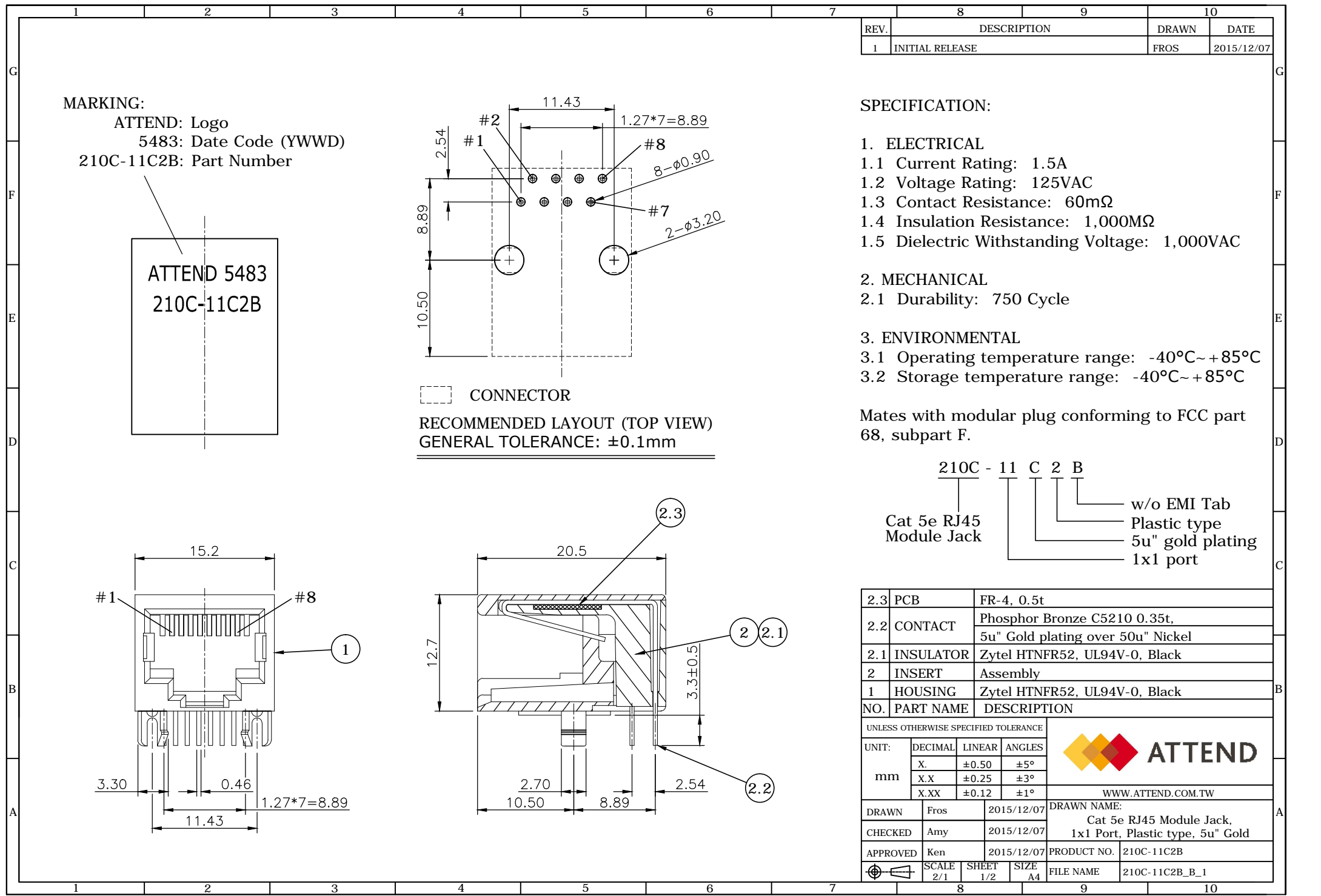


2.3	PCB	FR-4, 0.5t
2.2	CONTACT	Phosphor Bronze C5210 0.35t, 5u" Gold plating over 50u" Nickel
2.1	INSULATOR	Zytel HTNFR52, UL94V-0, Black
2	INSERT	Assembly
1	HOUSING	Zytel HTNFR52, UL94V-0, Black
NO.	PART NAME	DESCRIPTION

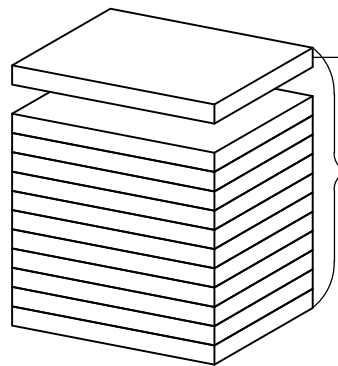
UNLESS OTHERWISE SPECIFIED TOLERANCE			
UNIT:	DECIMAL	LINEAR	ANGLES
mm	X.	±0.50	±5°
	X.X	±0.25	±3°
	X.XX	±0.12	±1°



DRAWN	Fros	2015/12/07	DRAWN NAME:
CHECKED	Amy	2015/12/07	Cat 5e RJ45 Module Jack, 1x1 Port, Plastic type, 5u" Gold
APPROVED	Ken	2015/12/07	PRODUCT NO. 210C-11C2B
SCALE	2/1	SHEET	1/2
SIZE	A4	FILE NAME	210C-11C2B_B_1

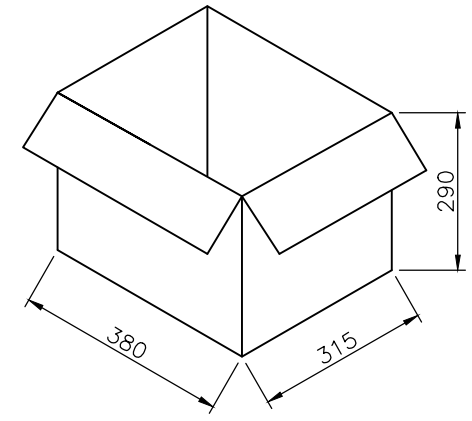


REV.	DESCRIPTION	DRAWN	DATE
	see sheet one		

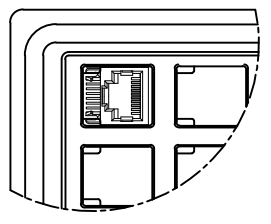


Tray with Cover = 1 Layer
= 7x10pcs = 70pcs

12 Layer = 1 Column
= 70pcsx12Layer = 840pcs

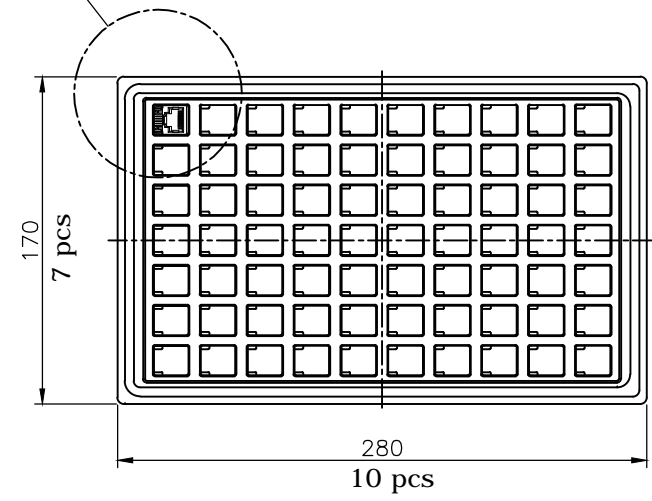



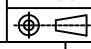
1 Carton = 2 Column
= 840pcsx2 = 1680pcs



Detail A

See A



UNLESS OTHERWISE SPECIFIED TOLERANCE					
UNIT:	DECIMAL	LINEAR	ANGLES		
mm	X.	±0.50	±5°	DRAWN NAME: Cat 5e RJ45 Module Jack, 1x1 Port, Plastic type, 5u" Gold	
	X.X	±0.25	±3°		
	X.XX	±0.12	±1°		
DRAWN	Fros	2015/12/07	PRODUCT NO. 210C-11C2B		
CHECKED	Amy	2015/12/07	FILE NAME 210C-11C2B_B_1		
APPROVED	Ken	2015/12/07			
 SCALE 1/4		SHEET 2/2	SIZE A4		