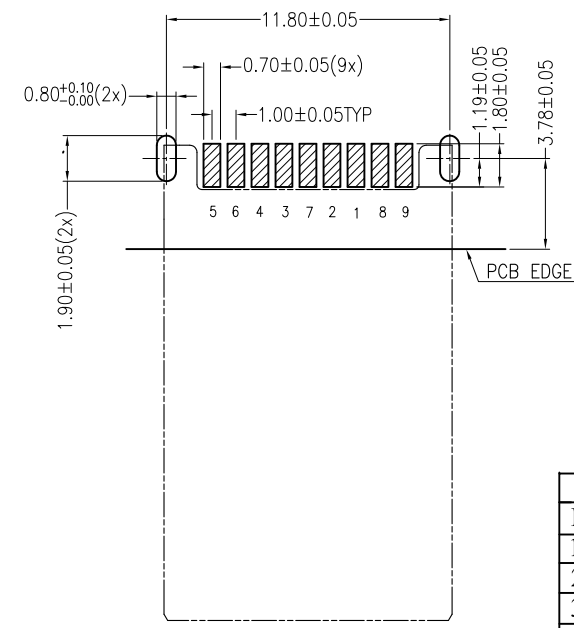
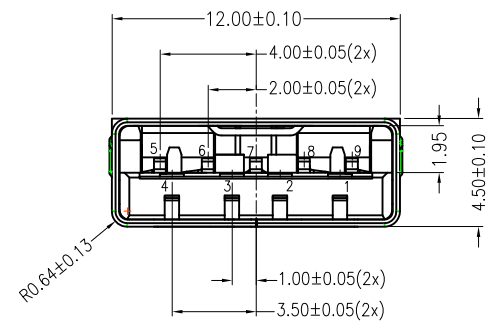
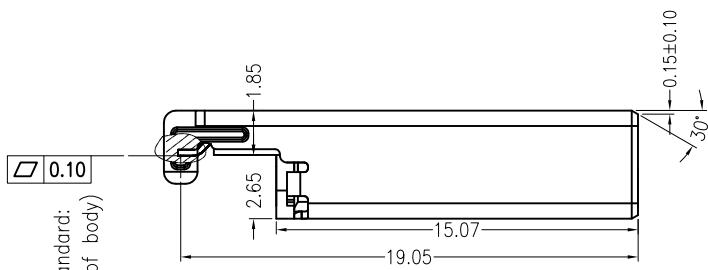


No	Part Name	Material	Final
1	Housing	LCP, Color: Blue	
2	Contact	Phosphor Bronze	
3	Shell	SPCC	Nickel Plated



Pin Assignments	
Pin No.	Signal Name
1	VBUS
2	D-
3	D+
4	GND
5	StdA_SSRX-
6	StdA_SSRX+
7	GND_DRAIN
8	StdA_SSTX-
9	StdA_SSTX+
Shell	Shield

RECOMMENDED PCB LAYOUT (t=1.00mm)
COMPONENT SIDE

Product Number	Description
209A-SG03	USB3.0 A Plug, Middle Board Mount SMD Type, Offset 2.65mm ,Contact Area: Gold 30u"

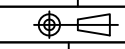
UNLESS OTHERWISE SPECIFIED TOLERANCE		
ANGLES	ANG.	±5°
LINEAR	0.	±0.3
	0.0	±0.25
	0.00	±0.20
SCALE	AS SHOWN	UNIT: mm
DRAWN	Willis	2013/03/06
CHECKED	Angel	2013/03/06
APPROVED	Ken	2013/03/06



www.attend.com.tw	
DRAWN NAME: USB3.0 A Plug SMD Type Middle Board Mount, Offset2.65mm	
PRODUCT NO.	209A-SG03
FILE NAME	209A-SG03_B_5

REV.	DESCRIPTION	DATE	REV.	DESCRIPTION	DATE
1			4		
2			5		
3			6		

Revise:
Revise:
Revise:



SIZE A4 REV. 1.0