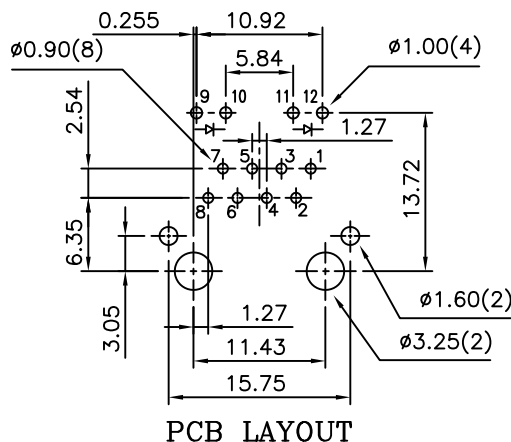
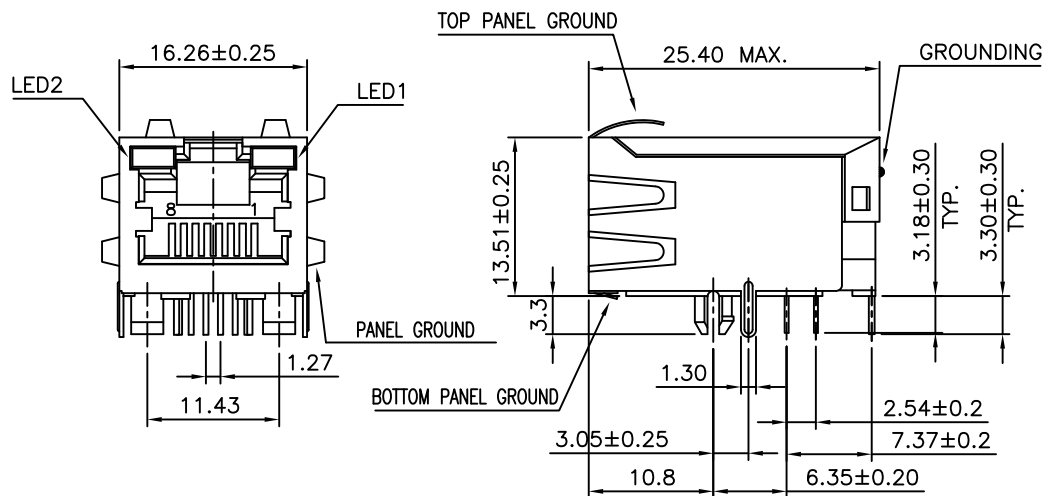


SWITCH CIRCUIT

MATERIAL AND FINISH AS BELOW

A	Housing	PBT UL94V-0 Black	E
B	Contact	Phosphor Bronze C5191,Contact Area:5u " Gold	F
C	Shell	Brass C2680,Nickel Plating	G
D			H



PRODUCT NUMBER:
213A-11 C X X-RA13

- 1 2 3 4
- 1.No. of Contact
11:1X1
 - 2.Contact Plating
C:5u " Gold Plating
 - 3.EMI Tab
A:with EMI Tab
B:without EMI Tab
 - 4.LED
A:Y(LED2)+G(LED1)

SPECIFICATION:

- 1. ELECTRICAL**
 - 1.1 Current Rating: 1.5A per pin
 - 1.2 Voltage Rating: 125V DC per pin
 - 1.3 Contact Resistance: 50mΩ
 - 1.4 Insulation Resistance: 1000MΩ
 - 1.5 Dielectric Withstanding Voltage: 1000VAC
- 2. MECHANICAL**
 - 2.1 Durability: 750 Cycle
- 3. ENVIRONMENTAL**
 - 3.1 Operating temperature range: -40°C ~ +85°C
 - 3.2 Storage temperature range: -40°C ~ +85°C
- 4. SOLDER ABILITY**
 - 4.1 Recommended Wave Soldering Temperature: 260°C
 - 4.2 Recommended PCB Thickness: 1.6mm

P1	P2	P3	P4	P5	P6	P7	P8	P9	P10	P11	P12
----	----	----	----	----	----	----	----	----	-----	-----	-----

PIN ASSIGNMENT

213A-11 C X A-RA13 RJ45 Jack Magnetic Type, Contact Area:5u " Gold

PRODUCT NO. DESCRIPTION

UNLESS OTHERWISE SPECIFIED TOLERANCE		
ANGLES	ANG.	±5°
LINEAR	0.	±0.3
	0.0	±0.25
	0.00	±0.20

SCALE AS SHOWN UNIT: mm

DRAWN Willis 2013/06/13

CHECKED Angel 2013/06/13

APPROVED Ken 2013/06/13



www.attend.com.tw

DRAWN NAME:
RJ45 Jack Magnetic Type

PRODUCT NO. 213A-11 C X A-RA13

FILE NAME 213A-11CXA-RA13_B_1

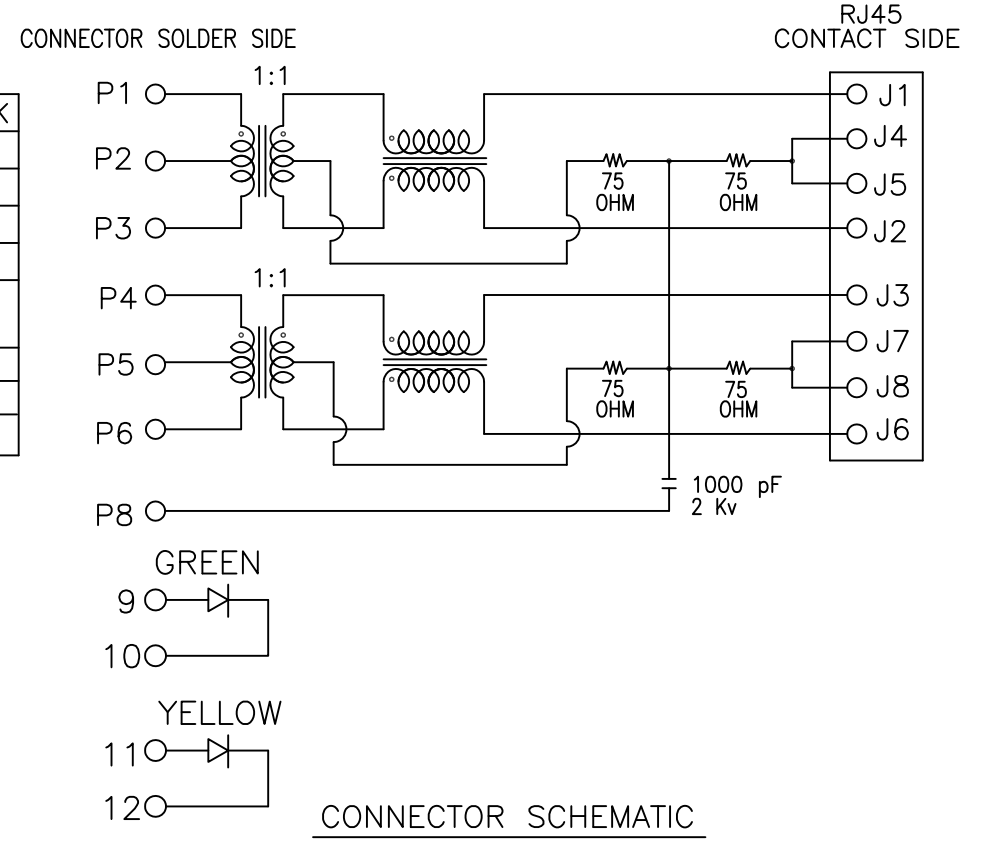
REV.	DESCRIPTION	DATE	REV.	DESCRIPTION	DATE	SIZE A4	REV. 1.0	FILE NAME 213A-11CXA-RA13_B_1
1			4					
2			5					
3			6					
4			7					
5			8					
6			9					
7			10					

- Revise:
- Revise:
- Revise:

Specification :

Item	Parameter	Condition	Min.	Typ.	Max.	Unit	REMARK
1	Insertion loss	1-100 MHz			-1	dB	
2	Return loss	1-30 MHz	-20			dB	
		30-60 MHz	-15			dB	
		60-80 MHz	-12			dB	
3	Primary Inductance @100KHz, 0.1Vrms, 8mA DC BIAS	(J1-J2), (J3-J6)	350			μH	
4	Crosstalk	1-100 MHz	-35			dB	
5	Hipot	Vrms	1.5			kV	
6	COMMON MODE REJECTION	1-100 MHz	-35			dB	

* OPERATING TEMPERATURE RANGE: 0°C TO +70°C.



REV.	DESCRIPTION	DATE	REV.	DESCRIPTION	DATE	SIZE	REV.	FILE NAME
1			4			A4	1.0	213A-11CX A-RA13_B_1

UNLESS OTHERWISE SPECIFIED TOLERANCE		
ANGLES	ANG.	±5°
LINEAR	0.	±0.3
	0.0	±0.25
	0.00	±0.20
SCALE	AS SHOWN	UNIT: mm

A Revise:								
A Revise:								
A Revise:								

DRAWN	Willis	2013/06/13	DRAWN NAME:	RJ45 Jack Magnetic Type
CHECKED	Angel	2013/06/13	PRODUCT NO.	213A-11 C X A-RA13
APPROVED	Ken	2013/06/13	FILE NAME	213A-11CX A-RA13_B_1



www.attend.com.tw