

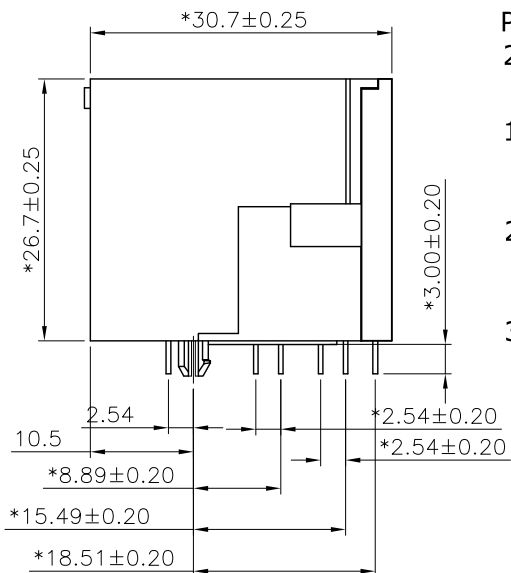
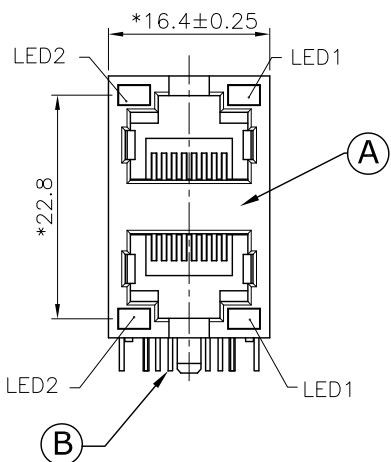
SWITCH CIRCUIT

MATERIAL AND FINISH AS BELOW

WHEN CARD IS EJECTED

WHEN CARD IS INSERTED

A	Housing	PA66 UL94V-0 Black	E		
B	Contact	Phosphor Bronze C5191, 5u" Gold Plating	F		
C			G		
D			H		



PRODUCT NUMBER:
211B-21 C 0 A-RA18
1 2 3

1.No. of Contact
21:2X1 Port

2.Contact Plating
C:5u" Gold Plating

3.LED
A:Y(LED2)+G(LED1)

SPECIFICATION:

1. ELECTRICAL

- 1.1 Current Rating: 1.5A
- 1.2 Voltage Rating: 125VAC
- 1.3 Contact Resistance: 30mΩ
- 1.4 Insulation Resistance: 500MΩ
- 1.5 Dielectric Withstanding Voltage: 1000VAC

2. MECHANICAL

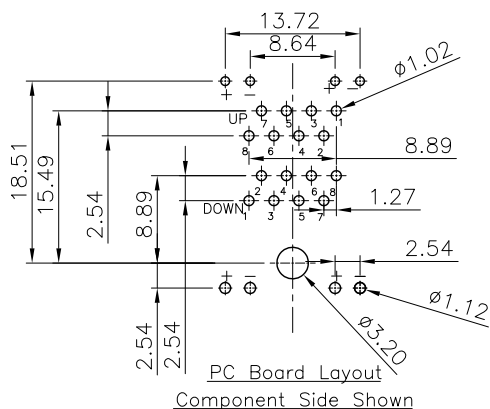
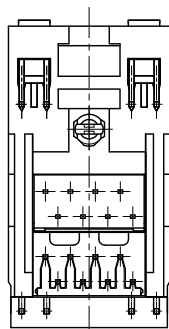
- 2.1 Durability: 750 Cycle

3. ENVIRONMENTAL

- 3.1 Operating temperature range: -40°C~+85°C
- 3.2 Storage temperature range: -40°C~+85°C

4. SOLDER ABILITY

- 4.1 Recommended Wave Soldering Temperature: 260°C
- 4.2 PCB Retention Pre-Solder: : 1 LB min
- 4.3 PCB Retention Post-Solder: 10 LBS min



P1	P2	P3	P4	P5	P6	P7	P8	P9	P10	P11	P12
----	----	----	----	----	----	----	----	----	-----	-----	-----

PIN ASSIGNMENT

PRODUCT NO.

DESCRIPTION

UNLESS OTHERWISE SPECIFIED TOLERANCE

ANGLES	ANG.	±5°
LINEAR	0.	±0.3
	0.0	±0.25
	0.00	±0.20

SCALE AS SHOWN UNIT: mm

DRAWN Willis 2012/10/30

CHECKED Angel 2012/10/30

APPROVED Ken 2012/10/30



www.attend.com.tw

DRAWN NAME:
RJ45 Jack Plastic Type with LED

PRODUCT NO. 211B-21C0A-RA18

FILE NAME 211B-21C0A-RA18_B_1

- △ Revise:
- △ Revise:
- △ Revise:

REV.	DESCRIPTION	DATE	REV.	DESCRIPTION	DATE	SIZE	REV.	FILE NAME
1			4			A4	1.0	211B-21C0A-RA18_B_1