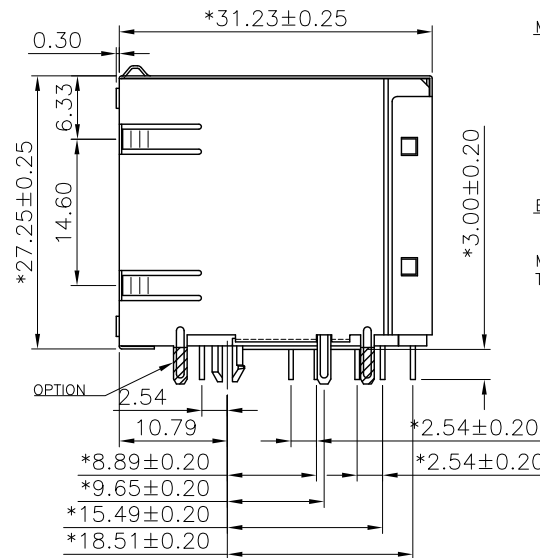
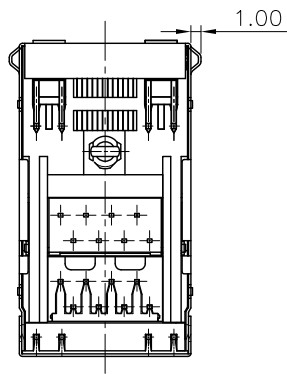
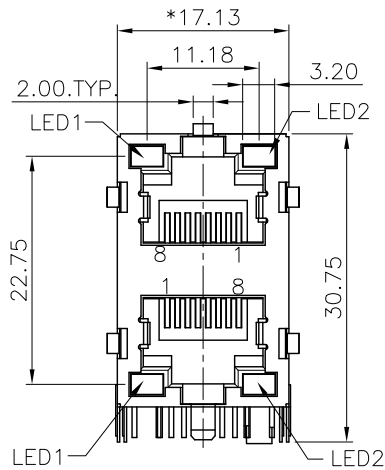
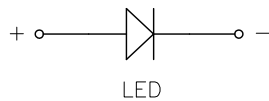


PC Board Layout  
Component Side Shown



NOTES:

ELECTRICAL:

1. VOLTAGE RATING : 125 VAC RMS.
2. CURRENT RATING : 1.5 AMP.
3. CONTACT RESISTANCE : 50 MILLIOHMS MAX.
4. INSULATION RESISTANCE: 1000 MEGOHMS MIN. @ 500 VDC.
5. DIELECTRIC STRENGTH : 1000 VAC RMS 60Hz, 1MIN.

MECHANICAL:

1. HOUSING MATERIAL : HIGH TEMP. UL94V-0.
2. CONTACT MATERIAL : PHOSPHOR BRONZE t=0.35mm
3. PLATING : 1: CONTACT AREA SELECTIVE GOLD PLATING.  
2: TAILS TIN PLATING OVER NICKEL.  
GOLD PLATING OVER NICKEL.
4. OPERATING LIFE : 750 CYCLES MIN.
5. PCB RETENTION PRE-SOLDER : 1 LB MIN.
6. PCB RETENTION POST-SOLDER: 10 LBS MIN.
7. LED SIZE : 3.2\*2.0\*4.0, P=2.54mm

ENVIRONMENTAL:

1. STORAGE : -40°C TO +85°C.
  2. OPERATION: 0°C TO 70°C.
- MATES WITH MODULAR PLUG CONFORMING TO FCC PART 68, SUBPART F.

PRODUCT NUMBER:  
211A-21 C A A-R  
1 2 3 4 5

- 1.No. of Contact  
21:2X1 Port
- 2.Contact Plating  
C:5u" Gold Plating
- 3.EMI Tab  
A:with EMI Tab
- 4.LED  
A:Y(LED1)+G(LED2)

UNLESS OTHERWISE SPECIFIED TOLERANCE

ANGLES	ANG.	±5°
LINEAR	0.	±0.3
	0.0	±0.25
	0.00	±0.20
SCALE	AS SHOWN	UNIT: mm
DRAWN	Willis	2012/08/03
CHECKED	Angel	2012/08/03
APPROVED	Ken	2012/08/03



www.attend.com.tw

DRAWN NAME:  
RJ45 Jack Shielded Type With LED

PRODUCT NO. 211A-21CAA-R

REV.	DESCRIPTION	DATE	REV.	DESCRIPTION	DATE	SIZE	REV.	FILE NAME
1			4			A4	1.0	211A-21CAA-R_B_1