

SWITCH CIRCUIT

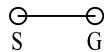
MATERIAL AND FINISH AS BELOW

WHEN CARD IS EJECTED

WHEN CARD IS INSERTED

CLOSE

OPEN

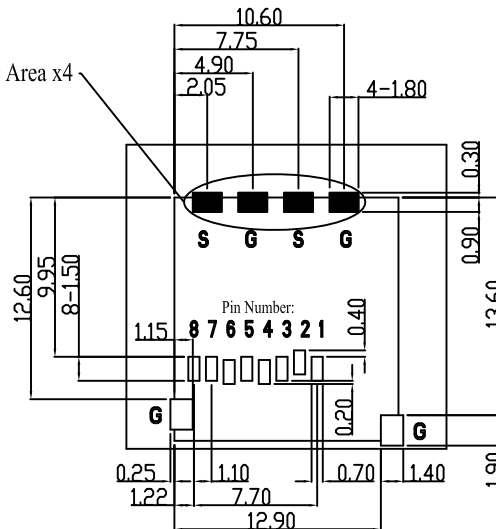
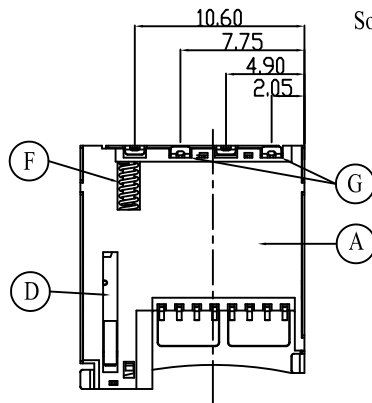
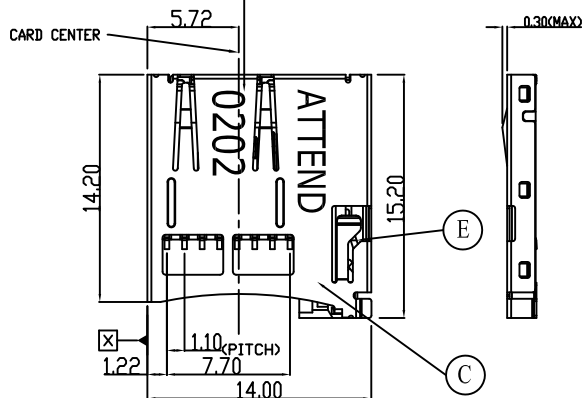


A	Housing	LCP+30% G/F
B	Contact	Phosphor Bronze C5210-EH, Contact Area:10u" Gold Plating
C	Shell	Stainless Steel SUS304R-3/4H, Solder Area:Gold Flash
D	Slider	LCP+30% G/F

E	Drag Link	Stainless Steel SUS304
F	Spring	Piano Wire
G	Switch	Phosphor Bronze C5191-H, Contact Area:Gold Flash
H		

NOTES:

- DATE CODE 0202 (YWWDD)
Y:0 YEAR(2010)
WW:20 WEEK(01-52)
D:2 DAY(01-07)
- 0202 WIDE x HIGH(6mm x 2mm)



SPECIFICATION:

1. ELECTRICAL

- Current Rating: 0.5A per pin
- Voltage Rating: 100V AC/DC
- Contact Resistance: 50mΩ
- Insulation Resistance: 1000MΩ
- Dielectric Withstanding Voltage: 500VAC

2. MECHANICAL

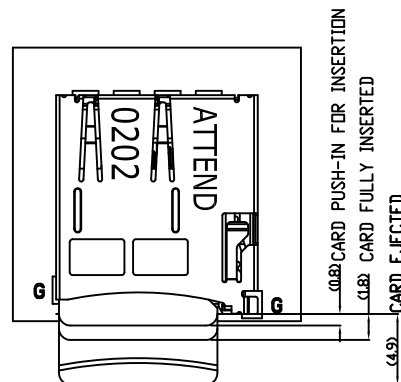
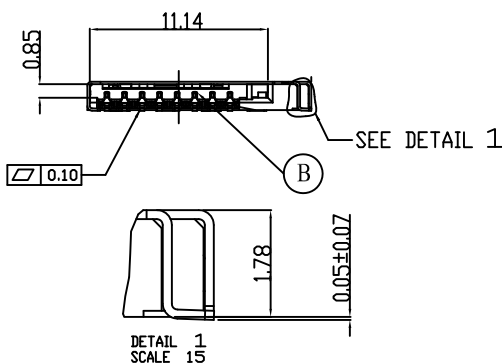
- Durability: 10000 Cycle
- Insertion Force: 9.8N max.
- Extraction Force: 9.8N max.

3. ENVIRONMENTAL

- Operating temperature range: -40°C~+90°C
- Storage temperature range: -40°C~+90°C

4. SOLDER ABILITY

- Recommended IR Reflow Temperature: 260°C
- Recommended PCB Thickness: 1.0mm



DAT2	CD/DAT3	CMD	VDD	CLK	VSS	DAT0	DAT1	DETECTION	GND
P1	P2	P3	P4	P5	P6	P7	P8	S	G

PIN ASSIGNMENT

112A-TAAR-R03	Top Mount, Push-Push Type, Contact Area: 10u" Gold Plating
---------------	--

PRODUCT NO.	DESCRIPTION
-------------	-------------

UNLESS OTHERWISE SPECIFIED TOLERANCE

ANGLES	ANG.	±5°
LINEAR	0.	±0.3
	0.0	±0.25
	0.00	±0.20

SCALE	AS SHOWN	UNIT: mm
-------	----------	----------

DRAWN	Willis	2013/10/31
-------	--------	------------

CHECKED	Angel	2013/10/31
---------	-------	------------

APPROVED	Ken	2013/10/31
----------	-----	------------



www.attend.com.tw

DRAWN NAME: Micro SD Socket Top Mount, Push-Push Type

PRODUCT NO.	112A-TAAR-R03
-------------	---------------

REV.	DESCRIPTION	DATE	REV.	DESCRIPTION	DATE	SIZE	REV.	FILE NAME
1						A4	1.0	112A-TAAR-R03_B_1